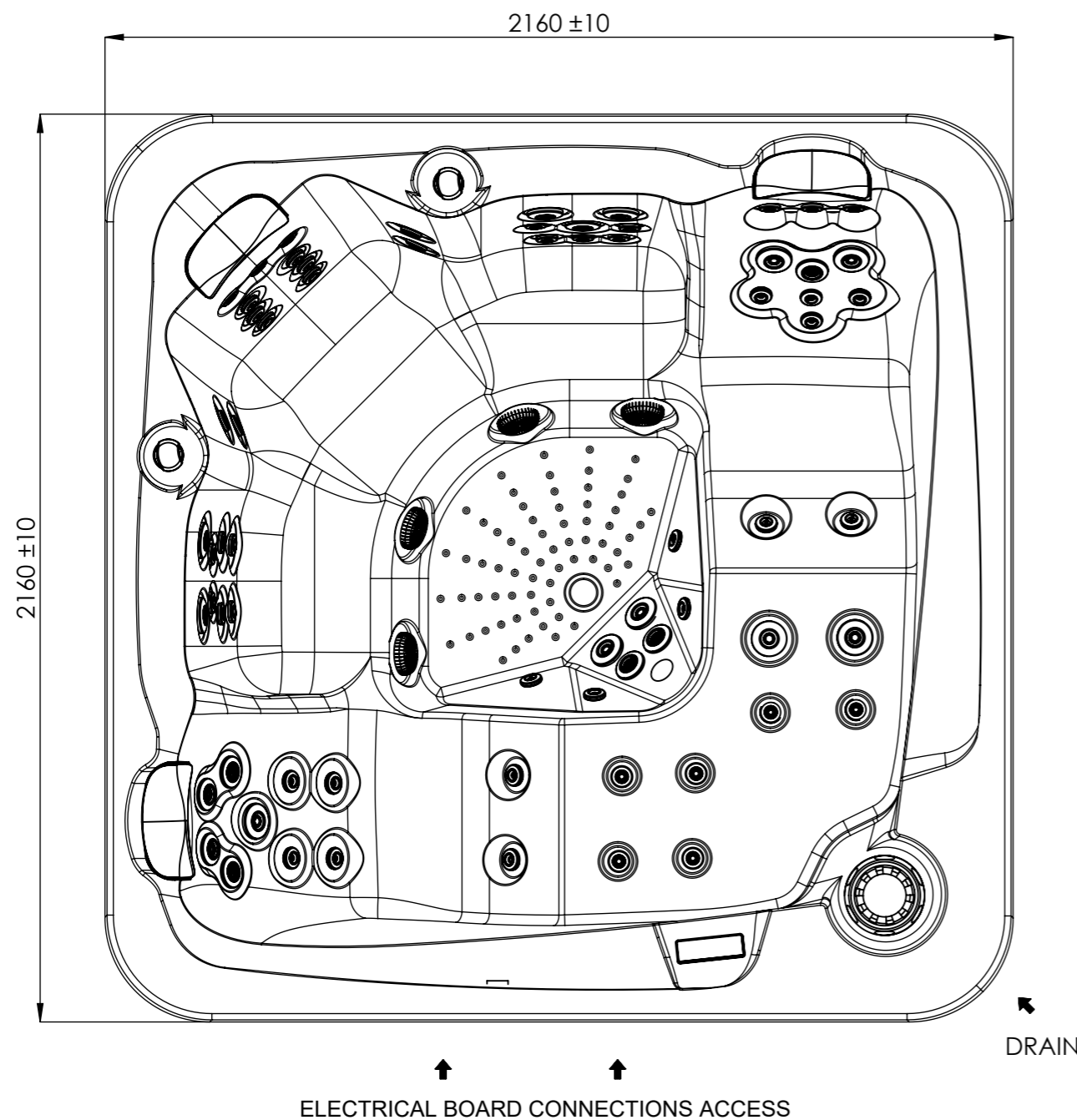
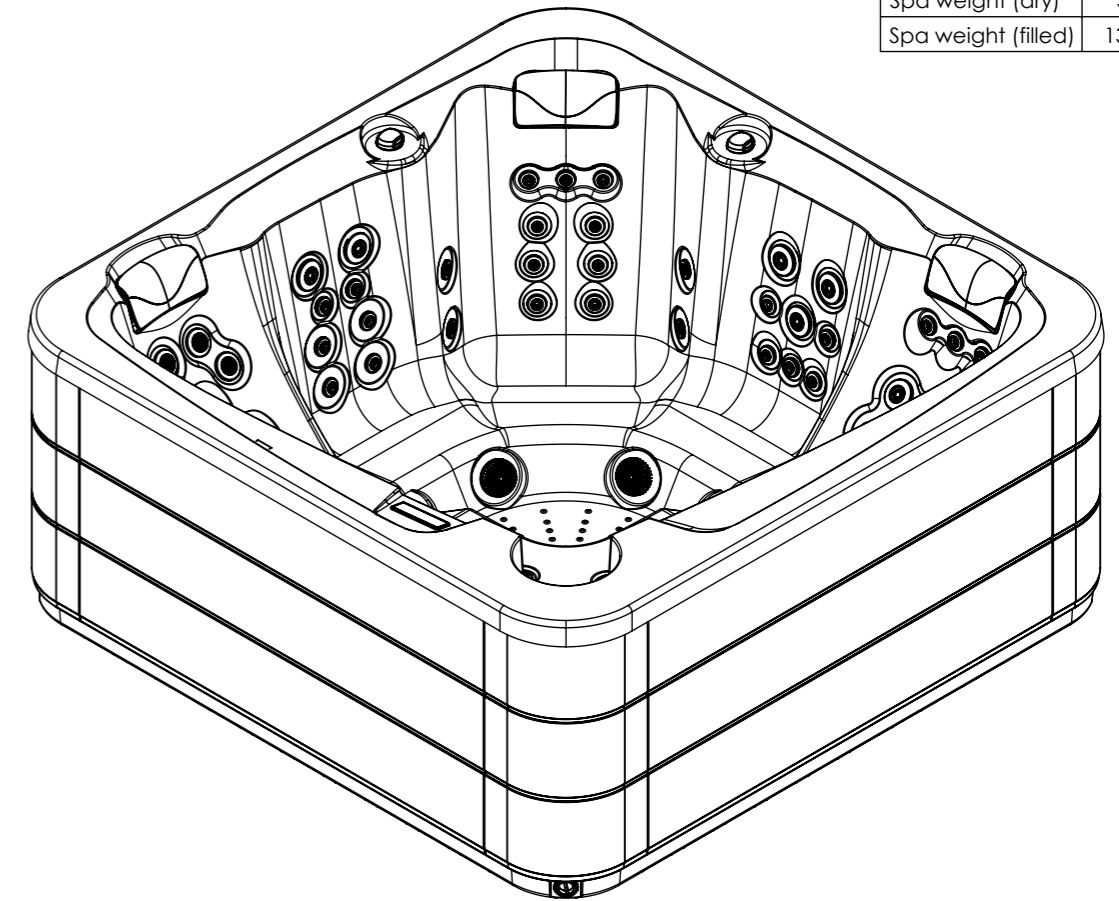
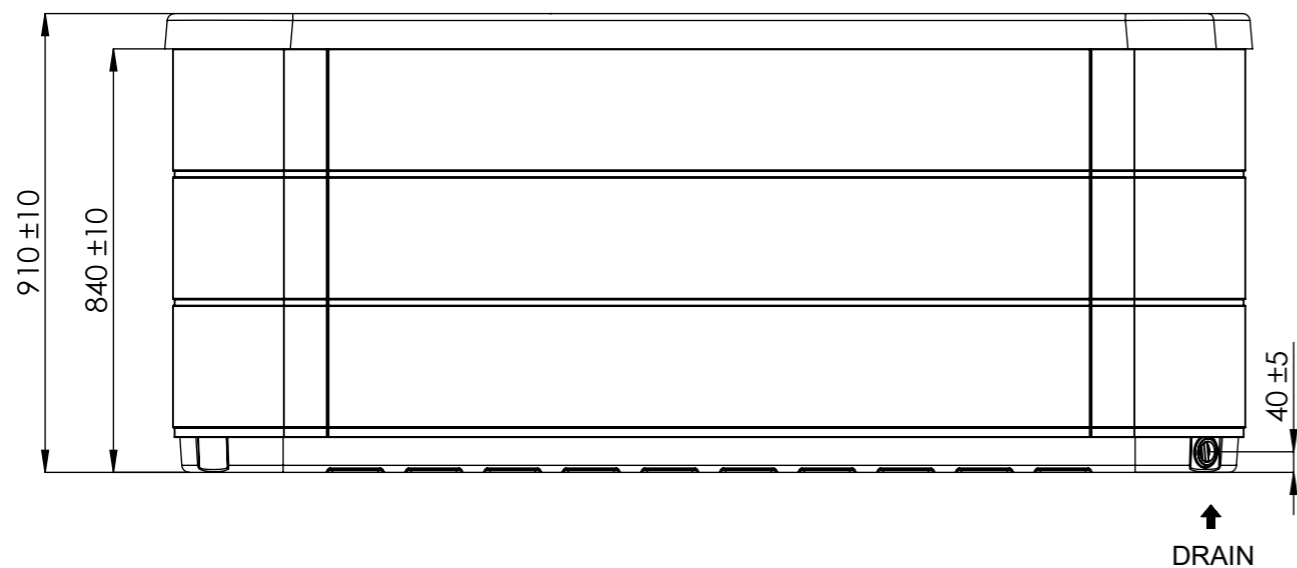
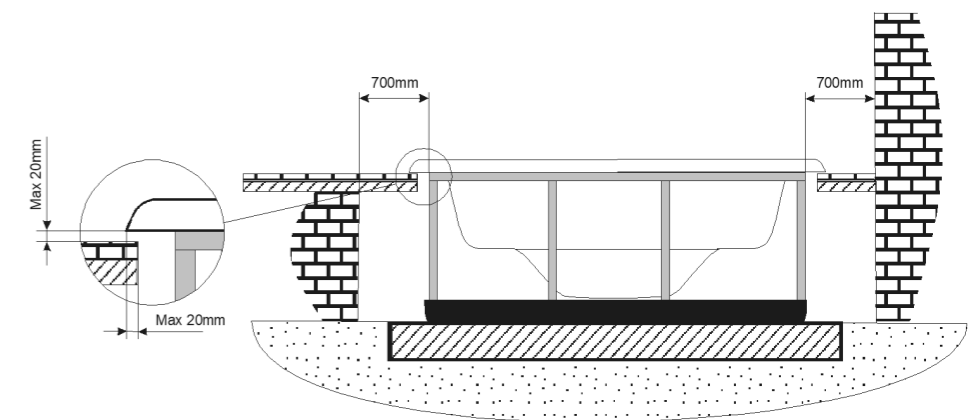


General specifications

Spa weight (dry)	330 kg
Spa weight (filled)	1310 kg



WARNING:
It's essential to keep a minimum clearance access of **700mm** all around.



According to our policy of continuous improvement, dimensions, features or components of this product can be partially or completely changed without prior notice.
It's Customer responsibility to verify that this is the last version of the drawing.

Revision Revisión	Date Fecha	Name Nombre	Modification Modificación

Dimensions in mm. General Tolerances +/- 10mm			COMMERCIAL			
Drawn	Date	Name	ASTRALPOOL	Code 76173	Rev. 00	Size A3
Checked	05/12/2022	Paula S.				
Scale	1:15	General Tolerance				
Sheet	1/1	DIN 7168 ISO 2768g				