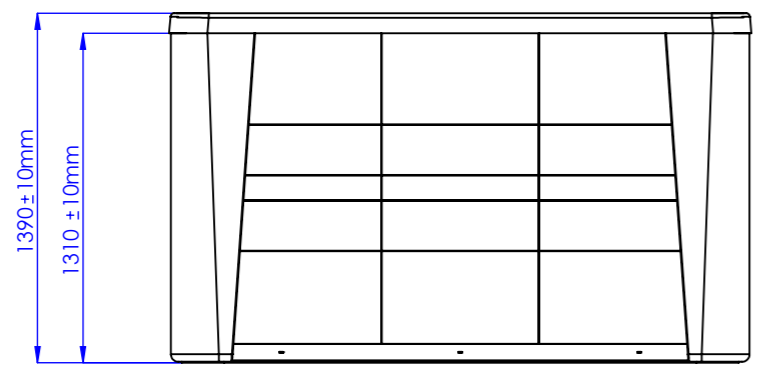
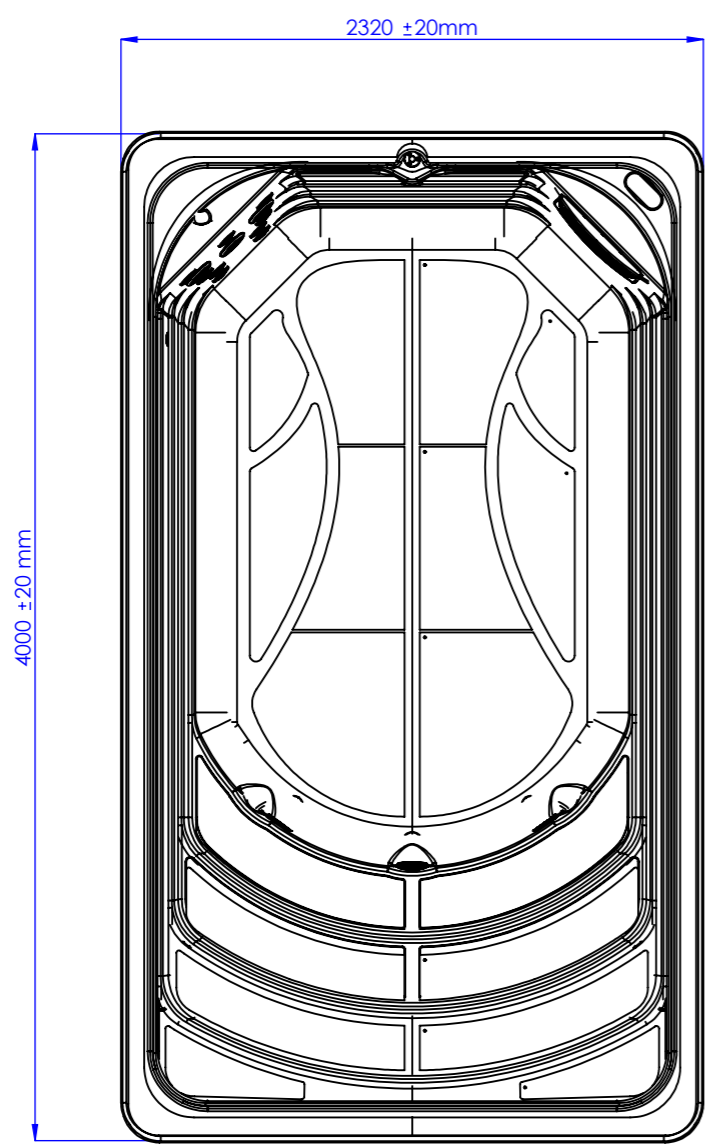


General specifications	
Spa weight (empty)	1.150 Kg
Spa weight (full)	7.150 Kg

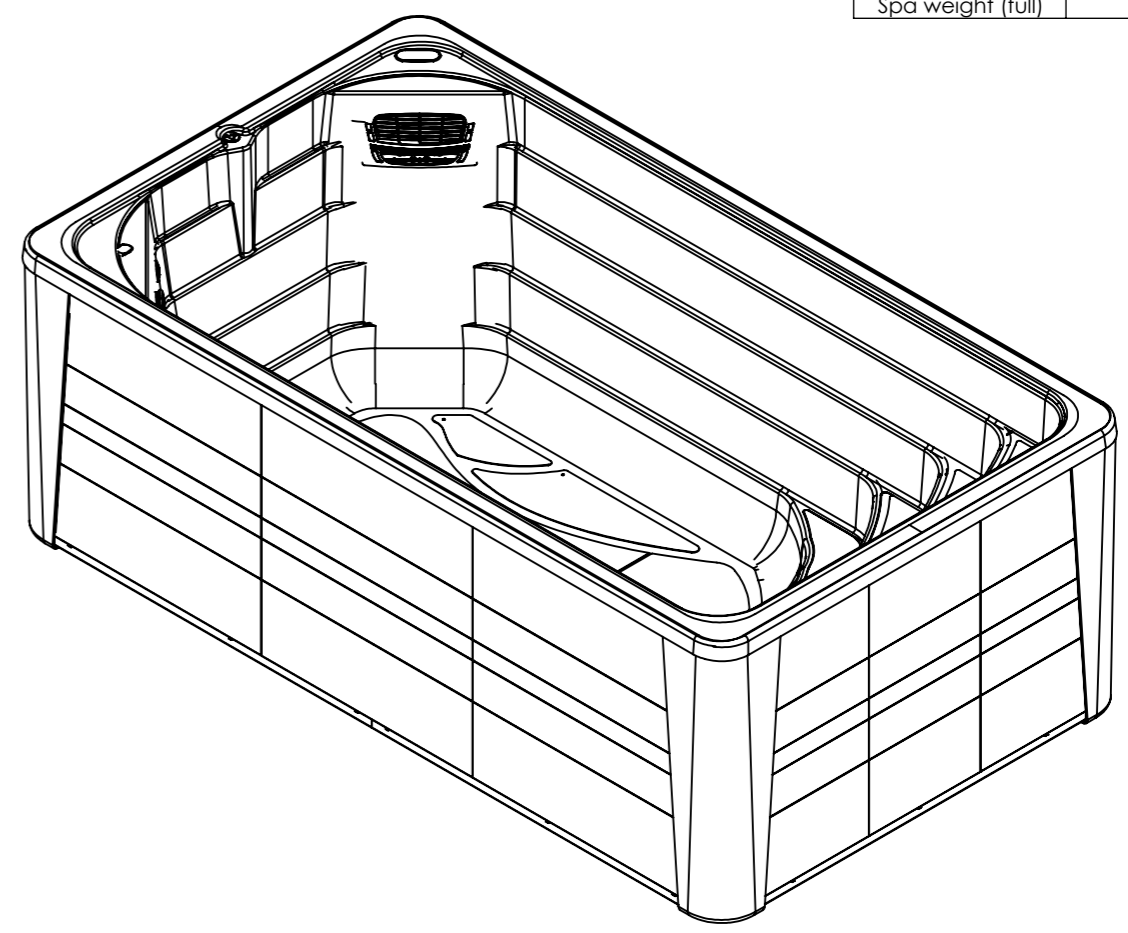


↑
DRAIN



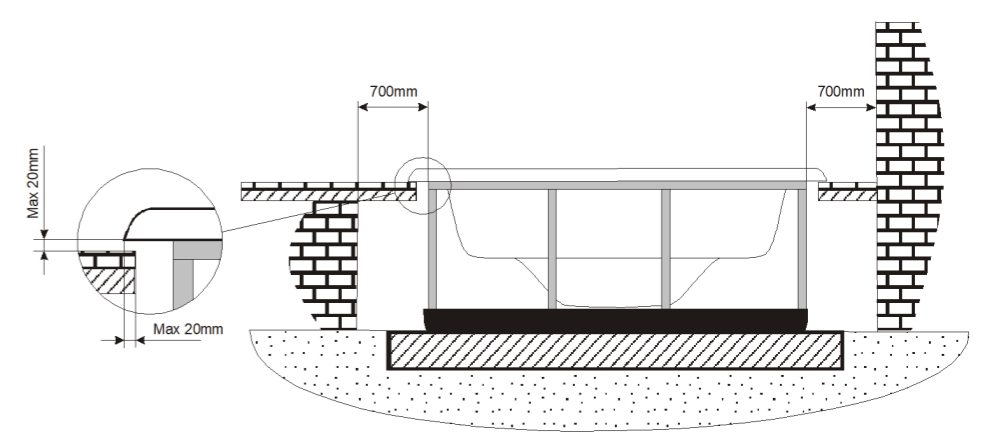
↑
DRAIN

↑ ↑
ELECTRICAL BOARD CONNECTIONS ACCESS



Inground option

WARNING:
It's essential to keep a minimum clearance access of **700mm** all around.



According to our policy of continuous improvement, dimensions, features or components of this product can be partially or completely changed without prior notice. It's Customer responsibility to verify that this is the last version of the drawing

Change No.	Date	Name	Modification			
Remarks				COMMERCIAL		
Dimensions in mm. General Tolerances +/- 10mm				Part Number	Rev.	First Angle Projection
Drawn	26/042021	CF		 74237	00	
Checked	26/04/2021	X.Codina				
Scale 1:30	General Tolerance					
Sheet 1/2	DIN 7168 ISO 2768g			Property of IBERSPA S.L. Avda. Pla d'Urgell 2-8 25200 Cervera, Spain. Don't use without permission. Keep this information confidential and use it solely for the permitted purpose.		