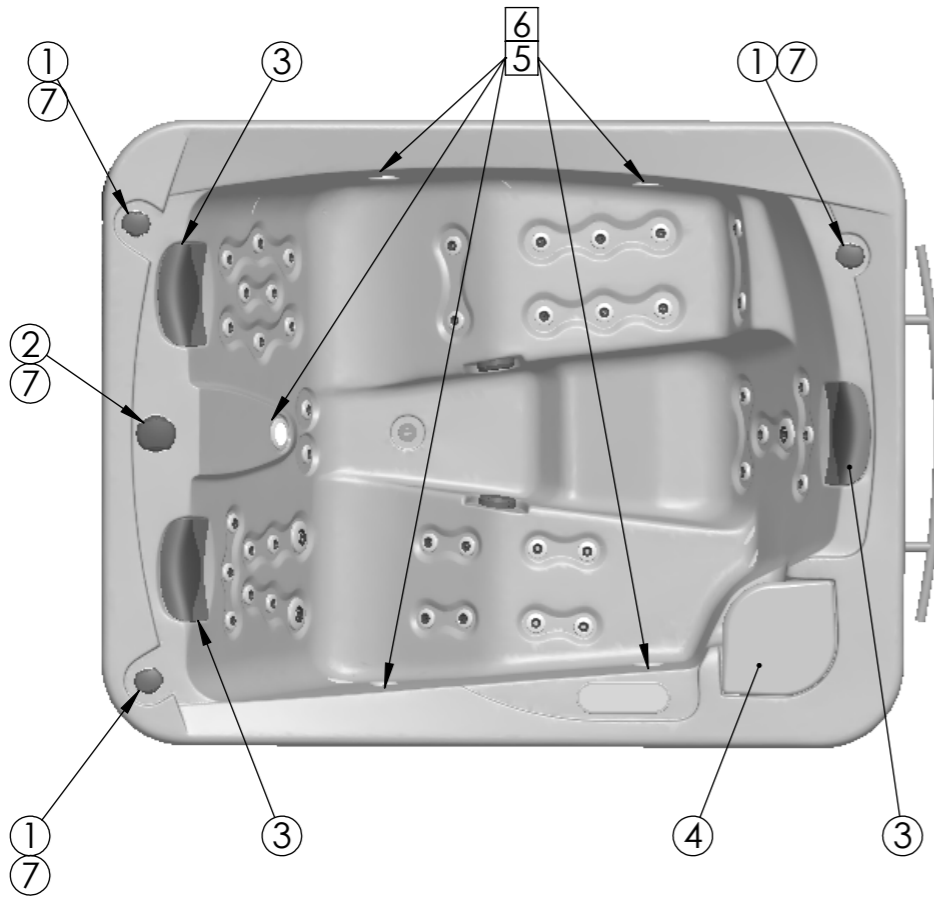


According to our policy of continuous improvement, dimensions, features or components of this product can be partially or completely changed without prior notice. It's Customer responsibility to verify that this is the last version of the drawing

Property of IBERSPA S.L. Avda. Pla d'Urgell 2-8 25200 Cervera, Spain. Don't use without permission. Keep this information confidential and use it solely for the permitted purpose.

**CONTROL COMPONENTS**



1 VENTURY CONTROLLER SS  
RPOR0261

2 3 WAYS SS VALVE 2"  
RPOR00262

**PILLOWS**

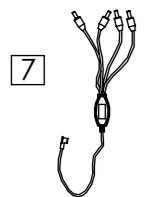
3 SMALL HEADREST GREY  
RPOR0032

4 SKIMFILTER COVER  
RPOR0156

**LIGHT COMPONENTS**

5 SPOTLIGHT LED SET RD  
RPOR0239

6 LED SLAVE LIGHT  
RPOR0252



7 4 LEDS LIGHTS POINTS  
RPOR0267

LEDS TRANSFORMER 5V DC  
RPOR0280

LEDS CONTROLLER  
RPOR0281

**CONTROL PANELS**

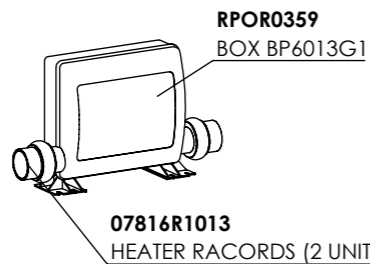
CONTROL PANEL TP 800  
RPOR00356

COVER DIGITAL STANDARD PANEL TP800  
RPOR00356-A

SPATOUCH CONTROL PANEL  
RPOR0354 (OPTIONAL)

COVER STANDARD PANEL SPATOUCH  
RPOR0354-B (OPTIONAL)

**HEATER**



07816R1013 HEATER RACORDS (2 UNITS)

RPOR0101 - TEMPERATURE PROBES GS I GL (x2)  
RPOR0105 - HEATER 3KW GS I GL  
RPOR0359-A - DIGITAL PANEL BP6013G1

**PUMPS**

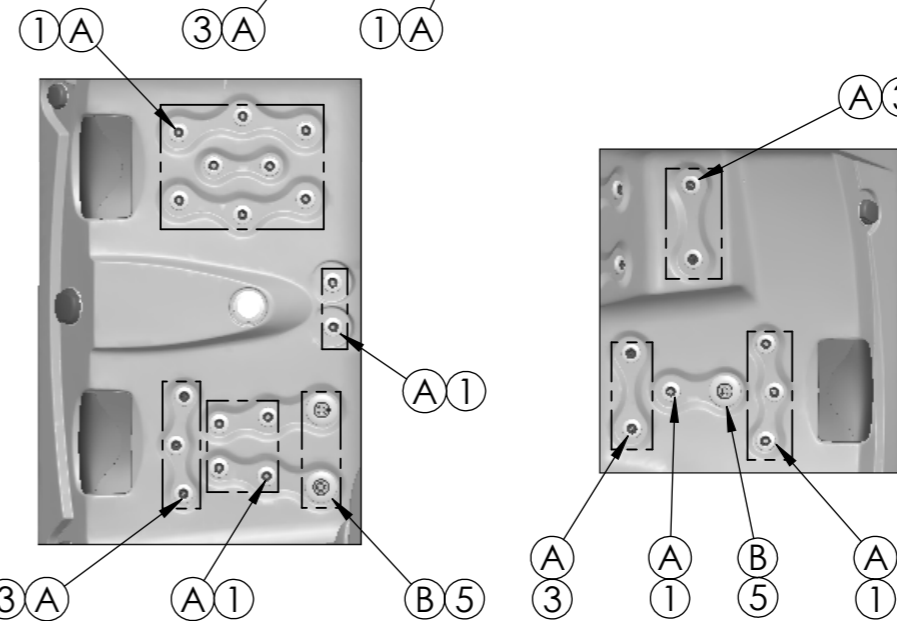
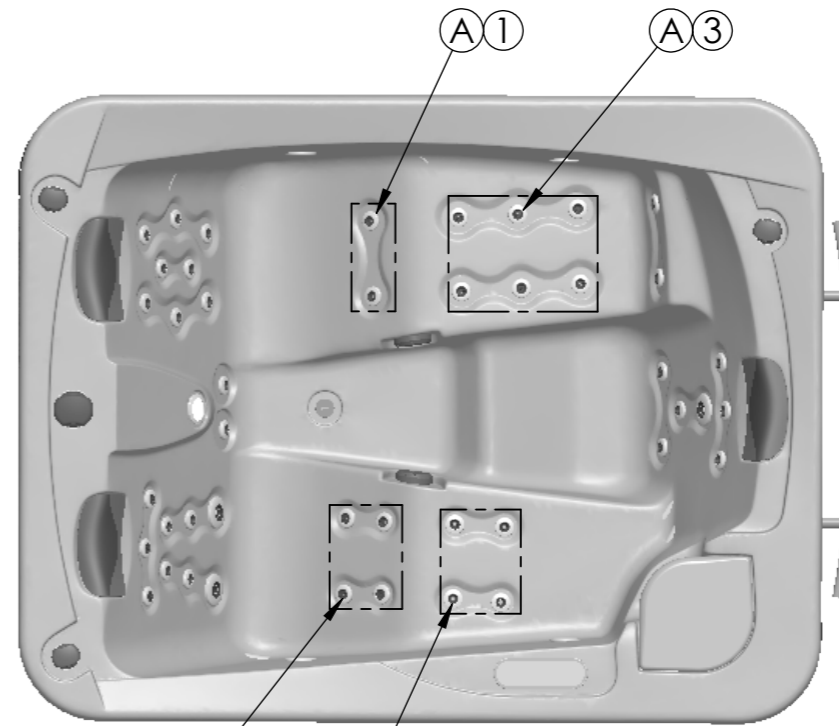
MASSAGE PUMP (300)  
RPOR0279

UNION NUT+TAIL PIECE PUMP  
RPOR0256

FILTRATION PUMP  
RPOR0379

UNION NUT + TAILPIECE PUMP  
RPOR0379-A

**MASSAGE COMPONENTS**



JET BODY SET 2"  
RPOR0375

FRONTAL JET 2"  
SS DIRECTIONAL  
RPOR0375-A

FRONTAL JET 2"  
LF SS DIRECTION  
RPOR00375-B

FRONTAL JET 2"  
SS ROTO  
RPOR0375-C

FRONTAL JET 2"  
LF SS ROTO  
RPOR0375-D

JET BODY SET 3"  
RPOR0376

FRONTAL JET 3"  
SS DIRECTIONAL  
RPOR0376-A

**FILTRATION**

SKIMERFILTER RD LOW PROFILE  
RPOR0238

FILTER CARTRIDGE SKIMFILTER RD  
RPOR00247-A

**DESINFECTION**

UV DESINFECTION SYSTEM  
RPOR0266

**AUDIO**

Option 4.1

RECEPTOR AUDIO BLUETOOTH BBA2  
RPOR0380

EXTENSION CABLE  
RPOR0370

POWER SUPPLY 220/12V  
RPOR0295

SUBWOOFER  
RPOR0208

SPEAKER  
RPOR0320

**OTHER COMPONENTS**

DRAIN FILL VALVE (BLACK)  
RPOR0136

SPECIAL HANDGRIP SPA 1000  
RPOR0198

GREY DRAIN SET  
RPOR0003

GREY SPA DRAIN 2" ADAPTOR SOKET D.50  
RPOR0225