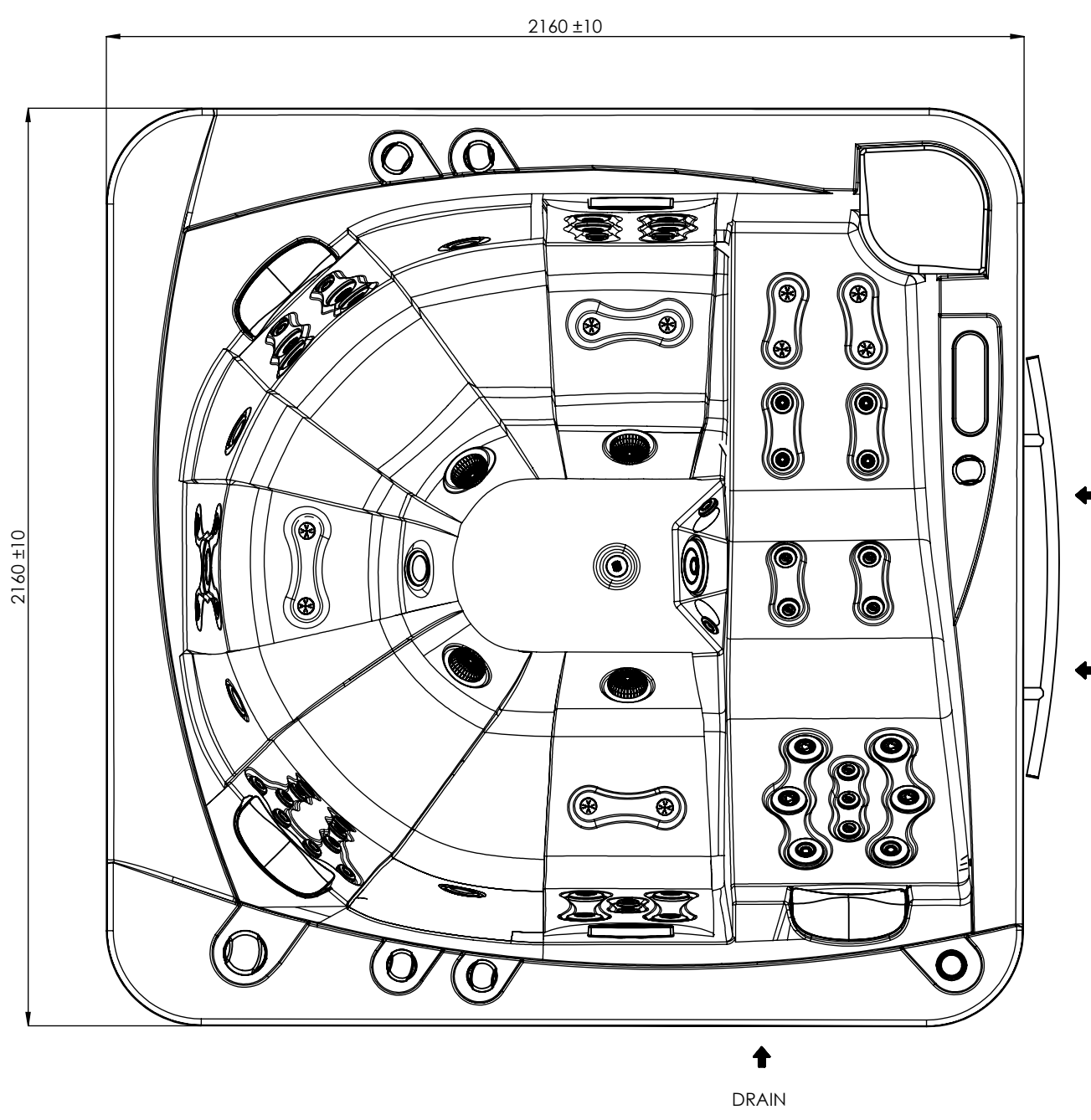
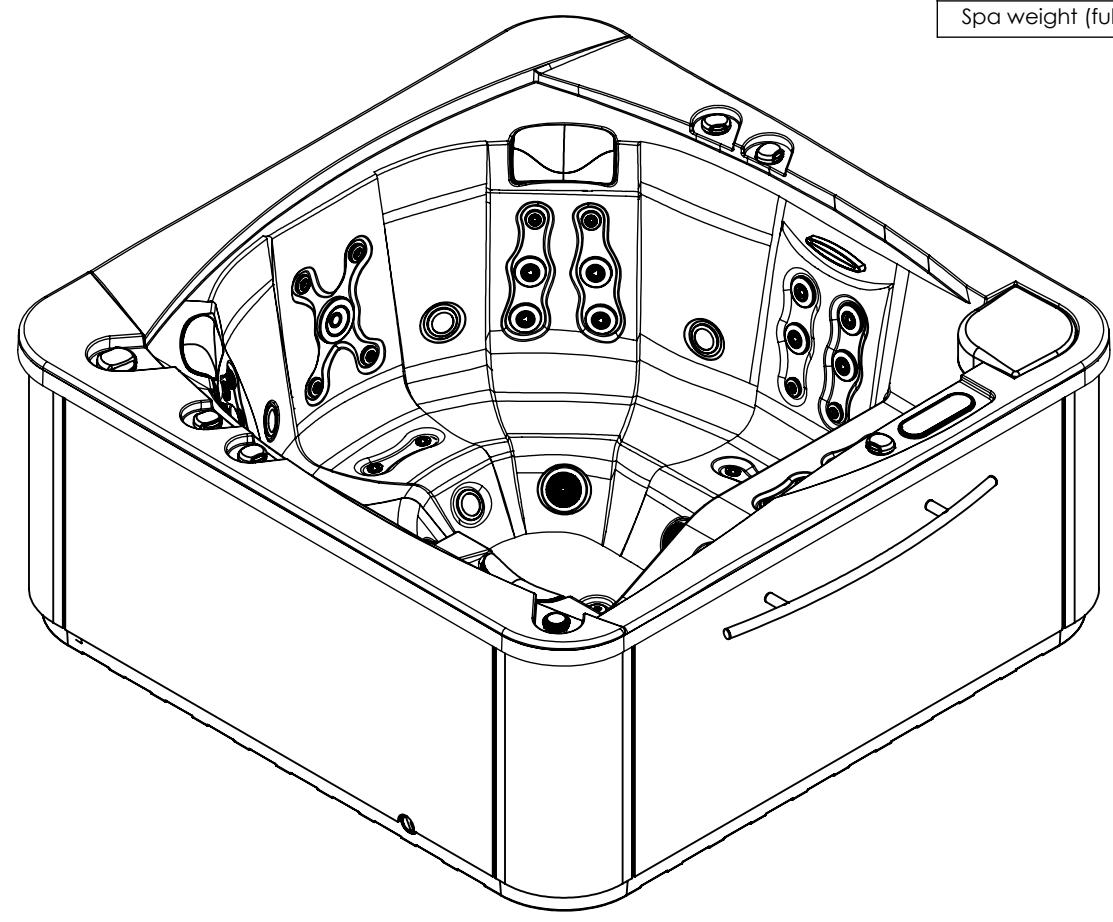
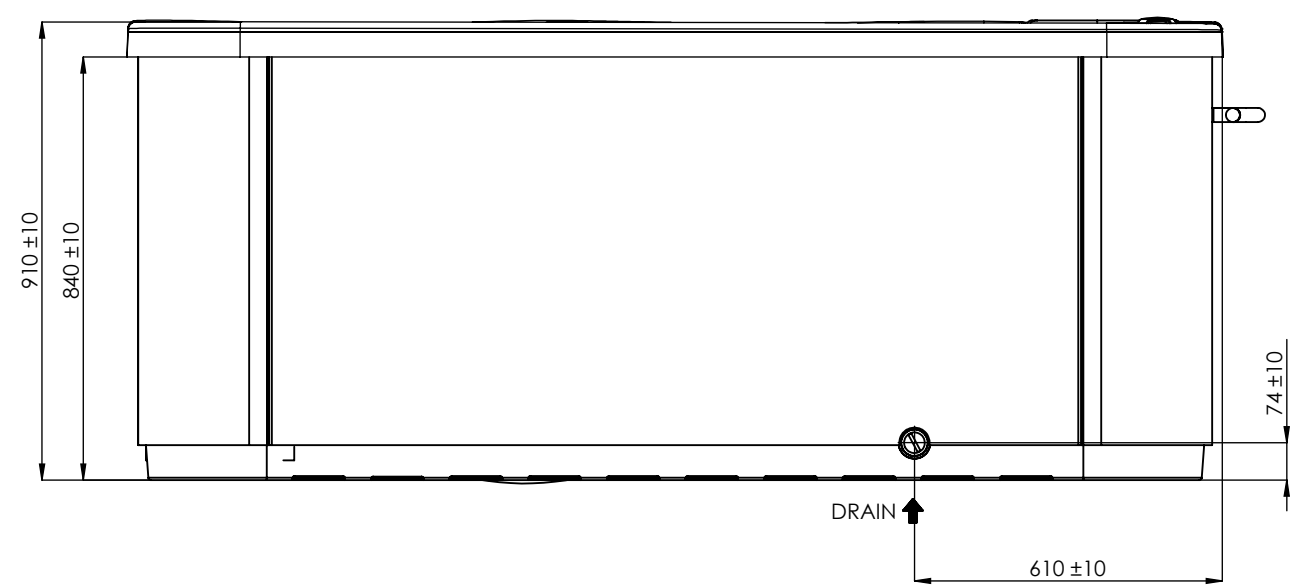


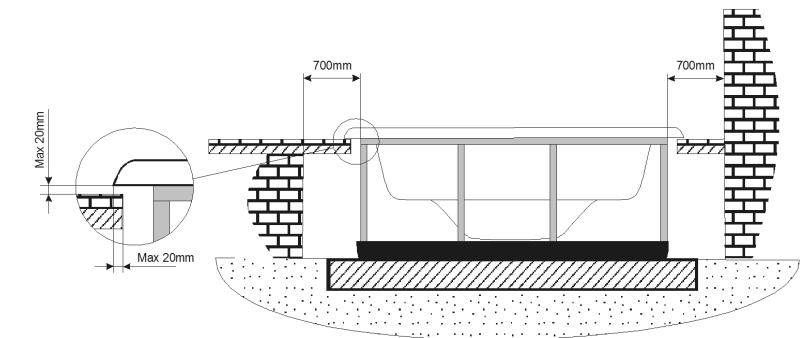
General specifications	
Spa weight (empty)	327 Kg
Spa weight (full)	1.465 Kg



ELECTRICAL BOARD CONNECTIONS ACCESS

Inground option

WARNING:
It's essential to keep a minimum clearance access of **700mm** all around.



According to our policy of continuous improvement, dimensions, features or components of this product can be partially or completely changed without prior notice.
It's Customer responsibility to verify that this is the last version of the drawing

02	03/12/2018	D. Castillo	Spa weight added.
01	28/11/2018	A. Miquel	Jets (CMP), filtration pump, DSG waterfall and audio receptor changed.
Change No.	Date	Name	Modification
Remarks			COMMERCIAL
Dimensions in mm. General Tolerances +/- 10mm			
Drawn	02/02/2018	A. Miquel	ASTRALPOOL
Checked	02/02/2018	V. Saiz	
Scale	1:15	General Tolerance	Part Number 69130
Sheet	1/2	DIN 7168 ISO 2768g	
			Rev. 02
			First Angle Projection
Property of IBERSPA S.L. Avda. Pla d'Urgell 2-8 25200 Cervera, Spain. Don't use without permission. Keep this information confidential and use it solely for the permitted purpose.			