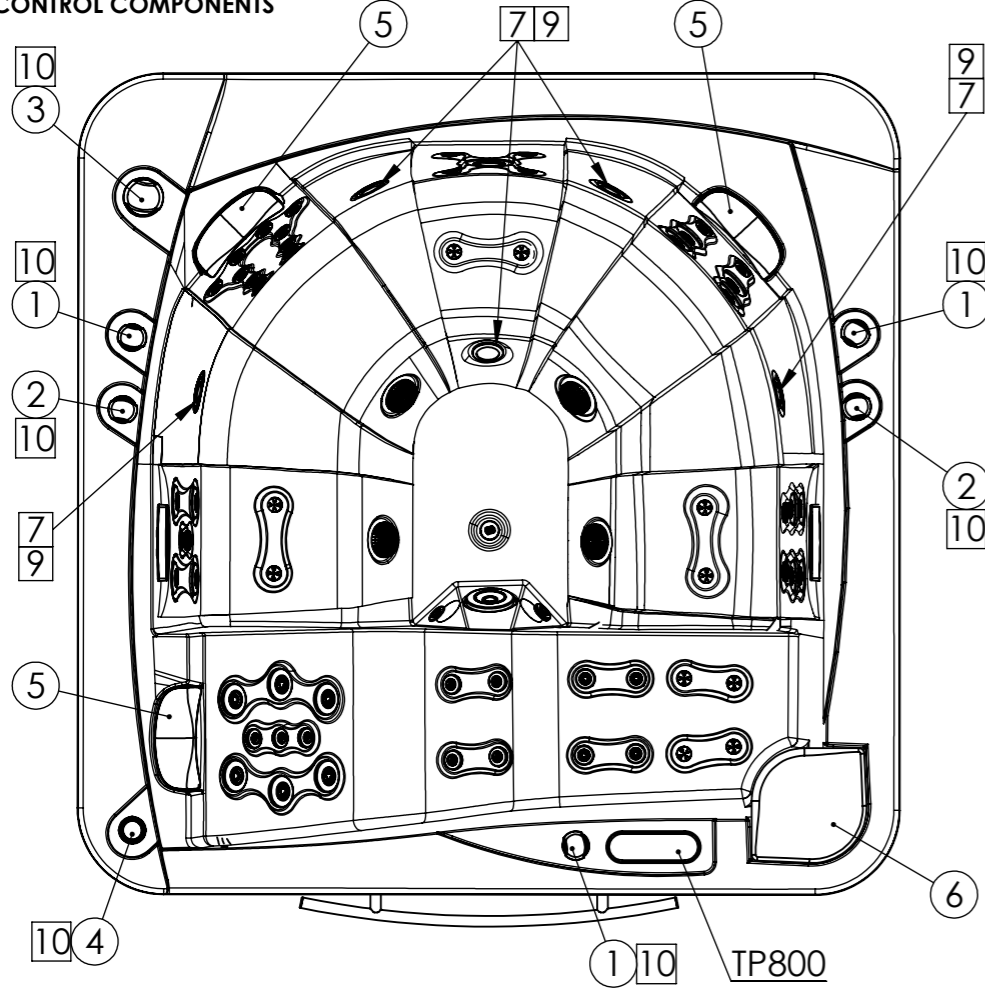


According to our policy of continuous improvement, dimensions, features or components of this product can be partially or completely changed without prior notice. It's Customer responsibility to verify that this is the last version of the drawing

Property of IBERSPA S.L. Avda. Pla d'Urgell 2-8 25200 Cervera, Spain. Don't use without permission. Keep this information confidential and use it solely for the permitted purpose.

CONTROL COMPONENTS



- 1 VENTURY CONTROLLER SS RPOR0261
- 2 VALVE ON-OFF 1" SS RPOR0263
- 3 3 WAYS SS VALVE 2" RPOR00262
- 4 AROMA DESPENSER RPOR0264

PILLOWS

- 5 SMALL HEADREST GREY RPOR0032
- 6 SKIMFILTER COVER RPOR0156

LIGHT COMPONENTS

- 7 SPOTLIGHT LED SET RD RPOR0239
- 9 LED SLAVE LIGHT RPOR0252
- 10 4 LEDS LIGHTS POINTS RPOR0267
- 11 1 LEDS LIGHTS POINTS RPOR0268
- LEDS TRANSFORMER 5V DC RPOR0280
- LEDS CONTROLLER RPOR0281

CONTROL PANELS

- CONTROL PANEL TP 800 RPOR00356
- COVER DIGITAL STANDARD PANEL TP800 RPOR00356-E
- SPATOUCH CONTROL PANEL RPOR0354 (OPTIONAL)
- COVER STANDARD PANEL SPATOUCH RPOR0354-B (OPTIONAL)

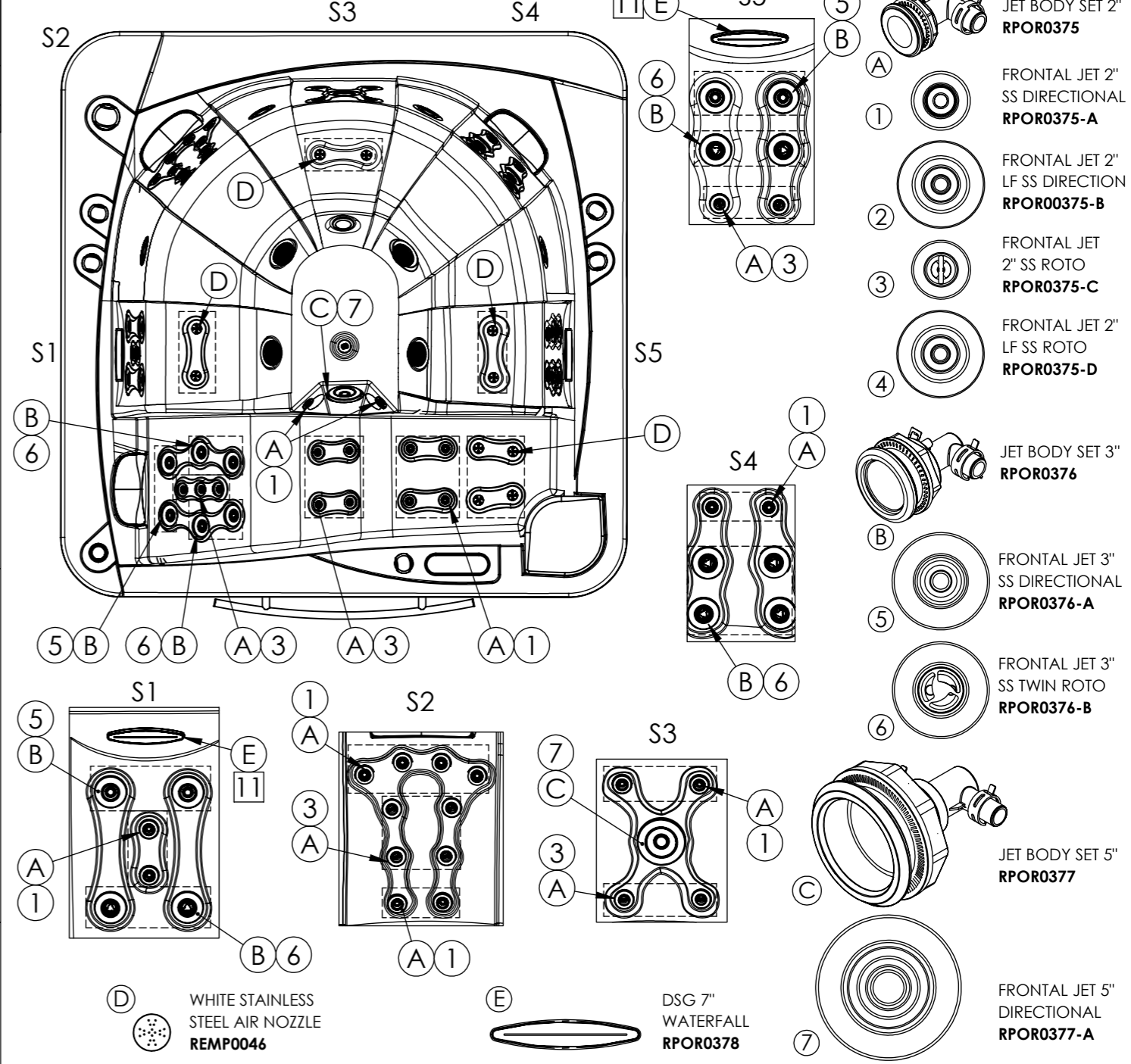
HEATER

- RPOR0360 BOX BP6013G2
- 07816R1013 HEATER RACORDS (2 UNITS)
- RPOR0101 - TEMPERATURE PROBES GS I GL (x2)
- RPOR0105 - HEATER 3KW GS I GL
- RPOR0360-A - DIGITAL PANEL BP6013G2
- RPOR0330 - EXPANDER BOARD KIT FOR SYSTEM BP6013G2

PUMPS

- (x2) MASSAGE PUMP RPOR0245
- UNION NUT+TAIL PIECE PUMP RPOR0256
- FILTRATION PUMP RPOR0379
- UNION NUT + TAILPIECE PUMP RPOR0379-A
- SPA BLOWER RPOR0186
- UNION NUT + TAILPIECE PUMP RPOR0258

MASSAGE COMPONENTS



FILTRATION

- SKIMERFILTER RD LOW PROFILE RPOR0238
- FILTER CARTRIDGE SKIMFILTER RD RPOR00247-A

DESINFECTION

- UV DESINFECTION SYSTEM RPOR0266

AUDIO

- Option 4.1
- RECEPTOR AUDIO BLUETOOTH BBA2 RPOR0380
- EXTENSION CABLE RPOR0370
- POWER SUPPLY 220/12V RPOR0295
- SUBWOOFER RPOR0208
- SPEAKER RPOR0320

OTHER COMPONENTS

- DRAIN FILL VALVE (BLACK) RPOR0136
- SPECIAL HANDGRIP SPA 1000 RPOR0198
- GREY DRAIN SET RPOR0003
- GREY SPA DRAIN 2" ADAPTOR SOKET D.50 RPOR0225