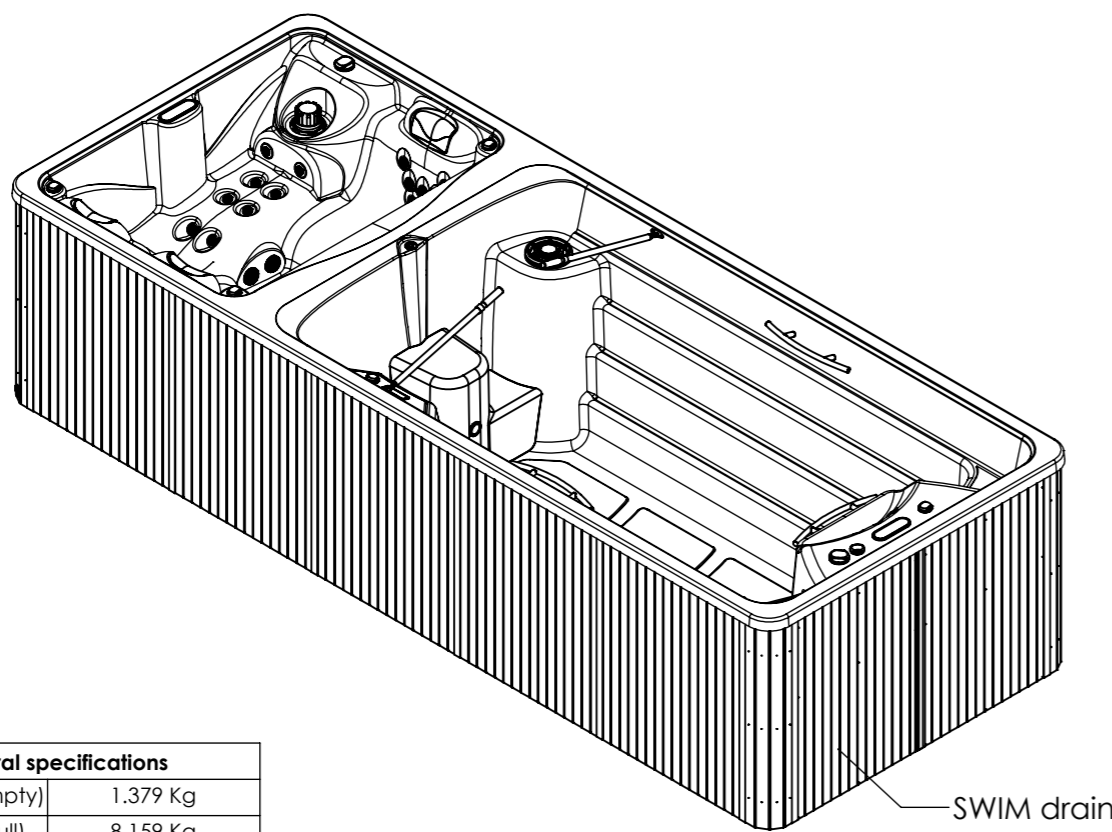
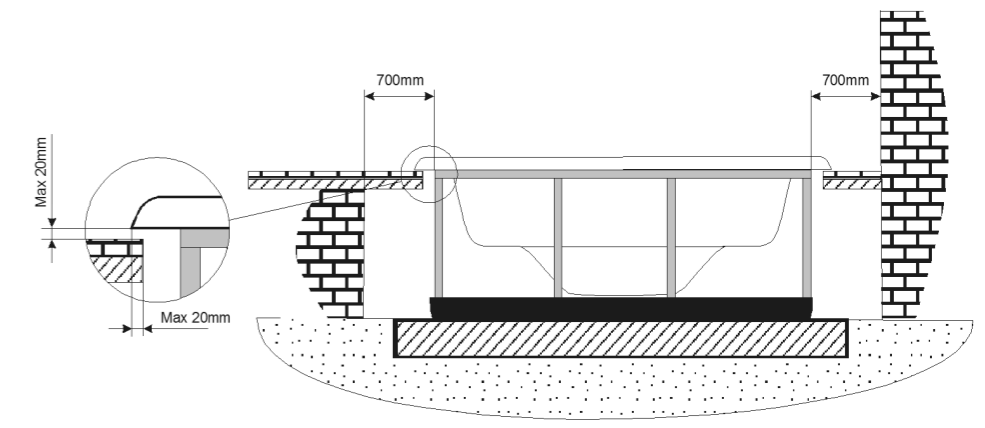


WARNING:
It's essential to keep a minimum clearance access of **700mm** all around.



General specifications	
Spa weight (empty)	1.379 Kg
Spa weight (full)	8.159 Kg

According to our policy of continuous improvement, dimensions, features or components of this product can be partially or completely changed without prior notice.
It's Customer responsibility to verify that this is the last version of the drawing

Change No.	Date	Name	Modification
03	03/12/2018	D.Castillo	Spa weight added.
02	19/11/2018	A. Miquel	Spare codes updated.
01	04/10/2018	A. Miquel	Jets (CMP) changed.
00	21/11/2017	A. Miquel	Creation

Remarks Dimensions in mm. General Tolerances +/- 10mm			COMMERCIAL		
Drawn	21/11/2017	A. Miquel	Part Number 69127-CL	Rev. 03	First Angle Projection
Checked	21/11/2017	V. Saiz			
Scale	1:30				
Sheet	1/2				
General Tolerance DIN 7168 ISO 2768g					