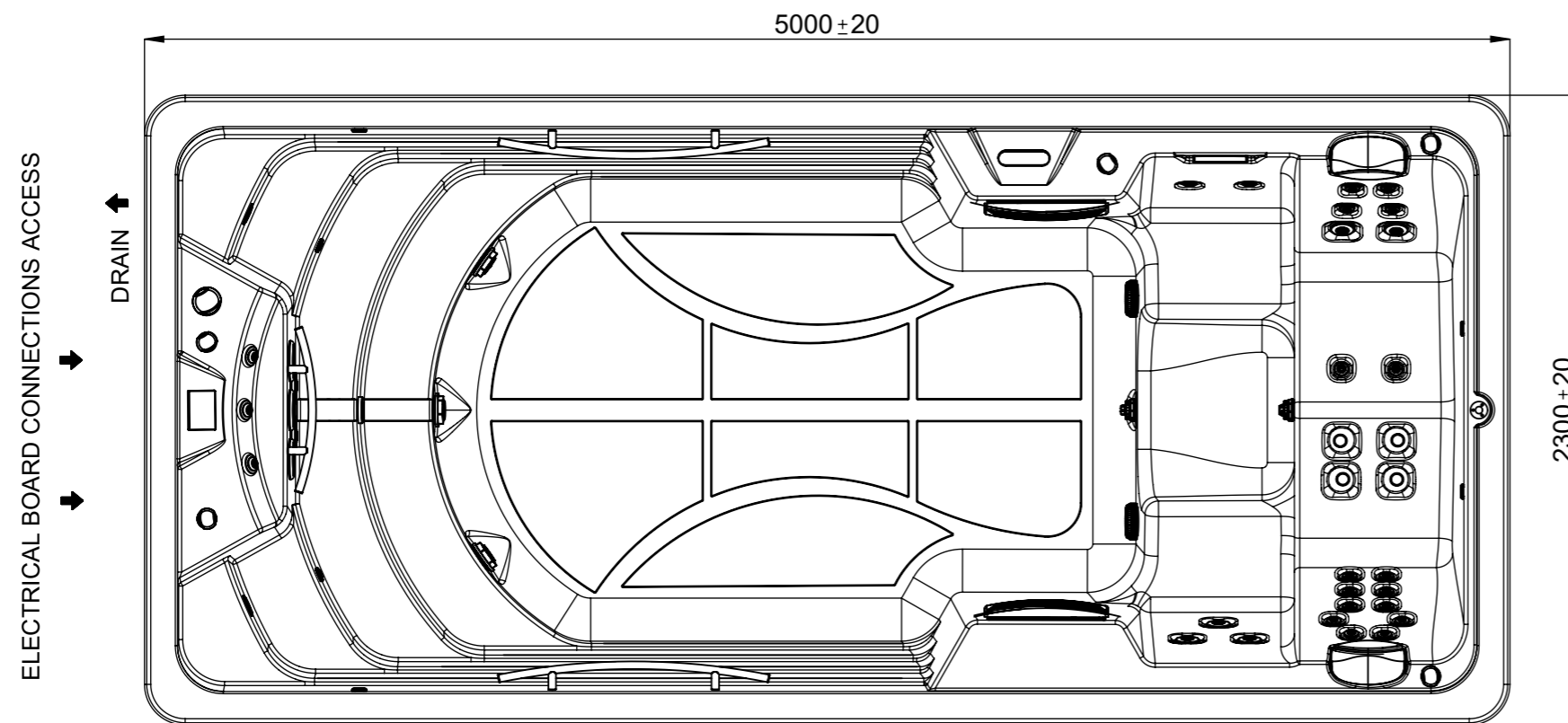
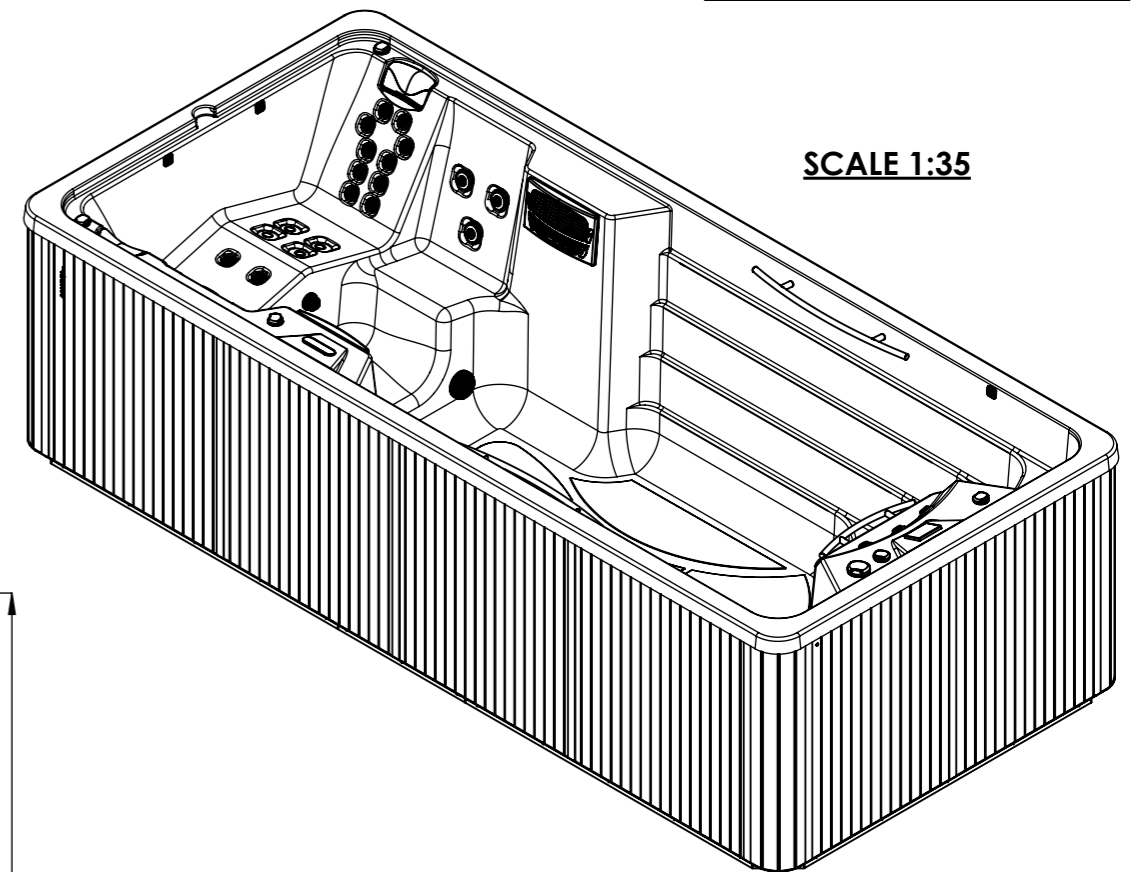
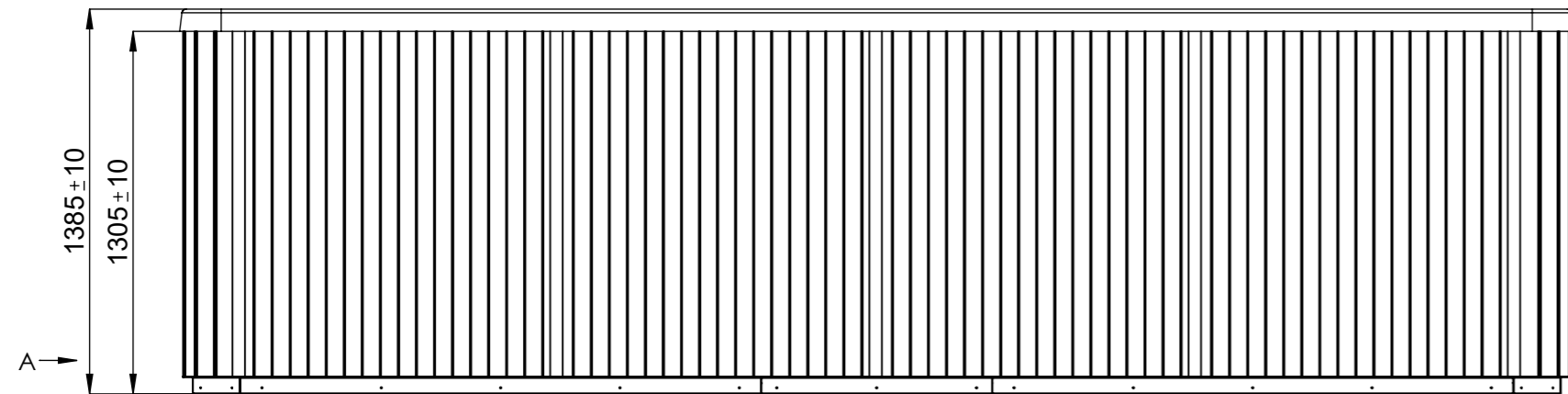
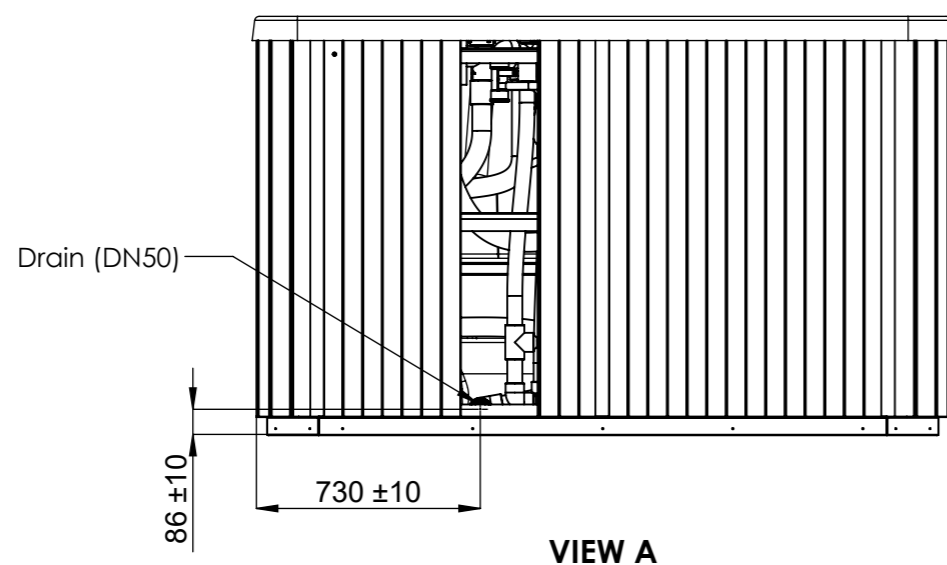
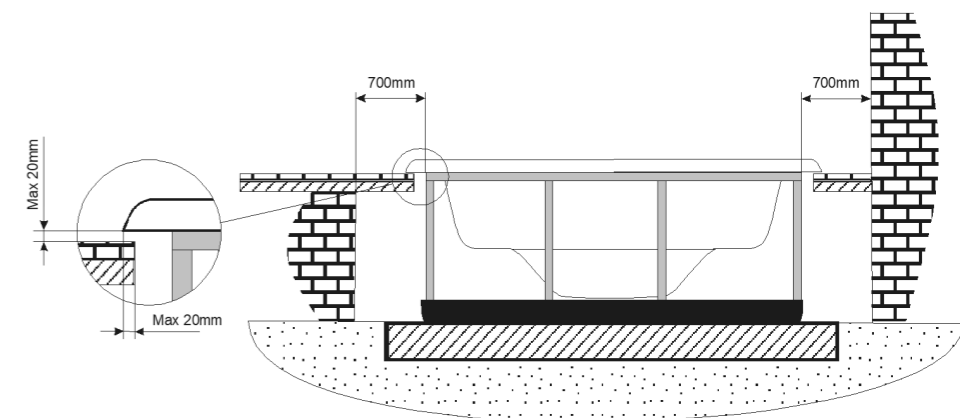


General specifications	
Spa weight (empty)	1.177 Kg
Spa weight (full)	9.677 Kg



WARNING:
It's essential to keep a minimum clearance access of **700mm** all around.



According to our policy of continuous improvement, dimensions, features or components of this product can be partially or completely changed without prior notice.
It's Customer responsibility to verify that this is the last version of the drawing.

Revision	Date	Fecha	Name	Nombre	Modification	Modificaci3n
07	31/10/2023		Anna A.		Afegim pla inclinat botoneres	
08	10/02/2025		Anna A.		Rectifiquem pesos	
09	10/02/2025		Anna A.		Ocultem utillatges �udio	

Dimensions in mm. General Tolerances +/- 10mm			COMMERCIAL		
Drawn	Date	Name	ASTRALPOOL	Code 64414	Rev. 09
Checked	10/02/2025	Bernat S.			
Scale 1:25	General Tolerance			Size A3	First Angle Projection
Sheet 1/1	DIN 7168 ISO 2768g				