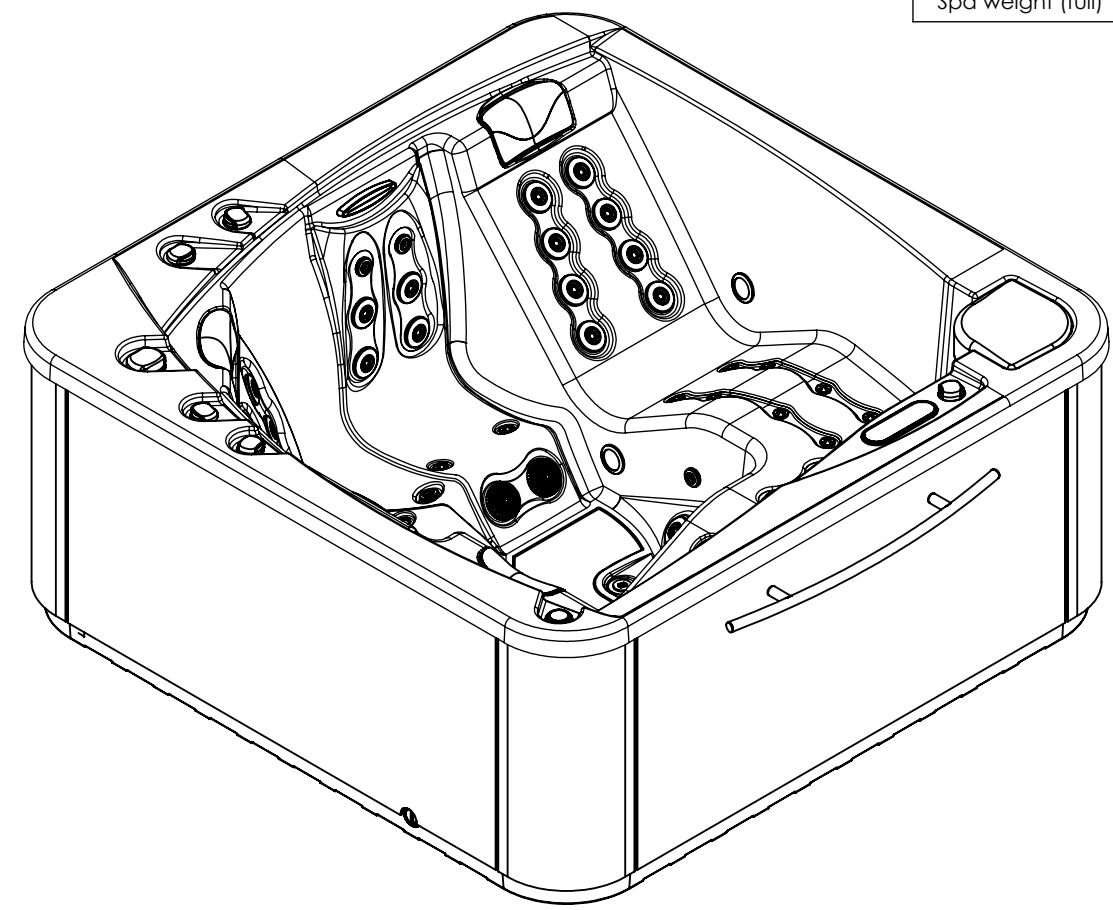
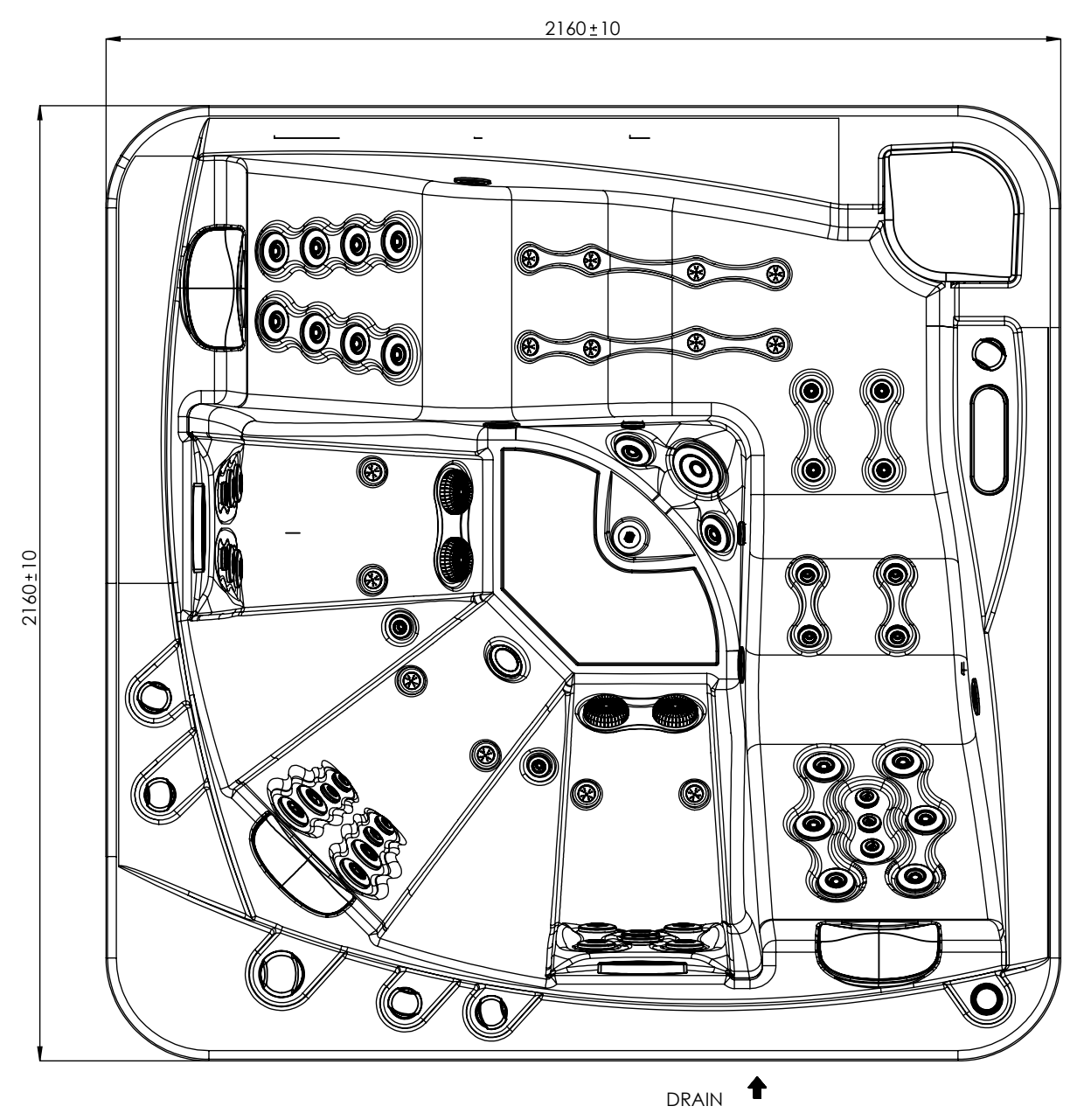
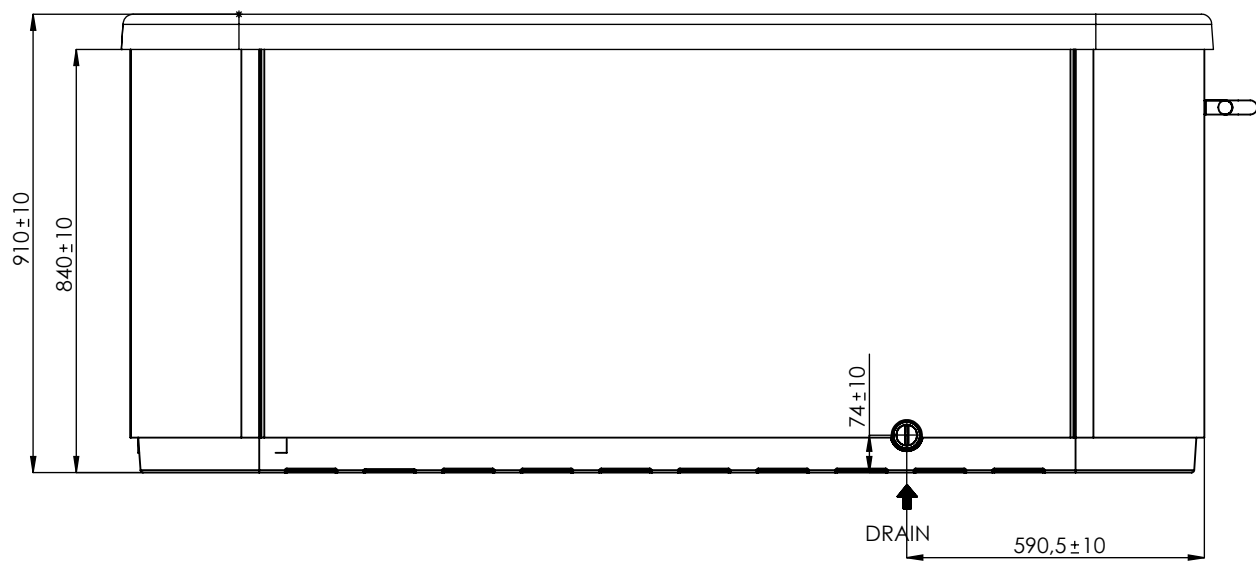
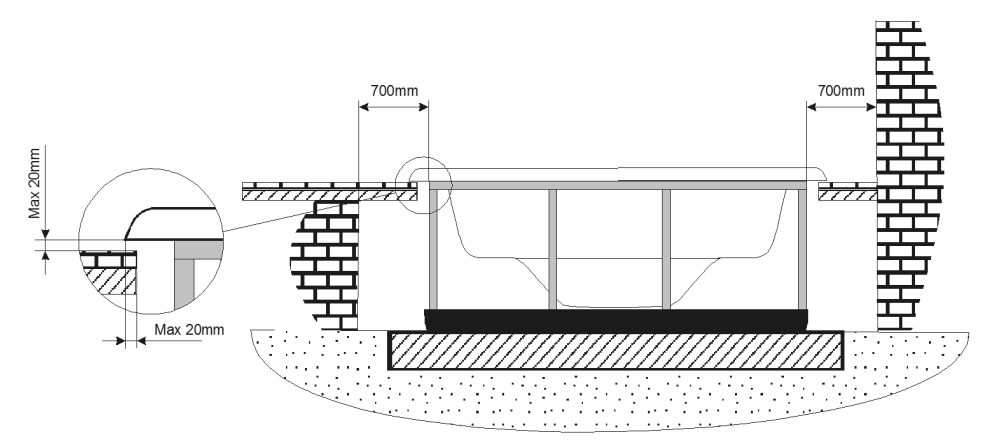


| General specifications |         |
|------------------------|---------|
| Spa weight (empty)     | 327 Kg  |
| Spa weight (full)      | 1227 Kg |




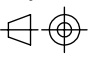
**Inground option**

**WARNING:**  
It's essential to keep a minimum clearance access of **700mm** all around.



↑  
↑  
ELECTRICAL BOARD CONNECTIONS ACCESS

According to our policy of continuous improvement, dimensions, features or components of this product can be partially or completely changed without prior notice.  
It's Customer responsibility to verify that this is the last version of the drawing

| 02  | 26/11/2018 | A.Miquel                                | Spa weight added.  |
|---|------------|---|--|
| 01  | 09/05/2017 | O. Faura                                | Changing of electronic parts references.   |
| 00  | 29/05/2015 | I.Pozo                                  | Drawing creation   |
| Change No.  | Date       | Name                                    | Modification   |
| Remarks   |            |   | COMMERCIAL   |
| Dimensions in mm. General Tolerances +/- 10mm   |            |   |  |
| Drawn   | 29/05/2015 | I.Pozo                                  | Part Number<br><b>62399</b>  |
| Checked   | 29/05/2015 | V.Saiz                                  |  |
| Scale   | 1:15       | General Tolerance<br>DIN 7168 ISO 2768g | Rev.<br><b>02</b>  |
| Sheet   | 1/2        |   |  |
| <b>ASTRALPOOL</b>  |            |   | First Angle Projection  |