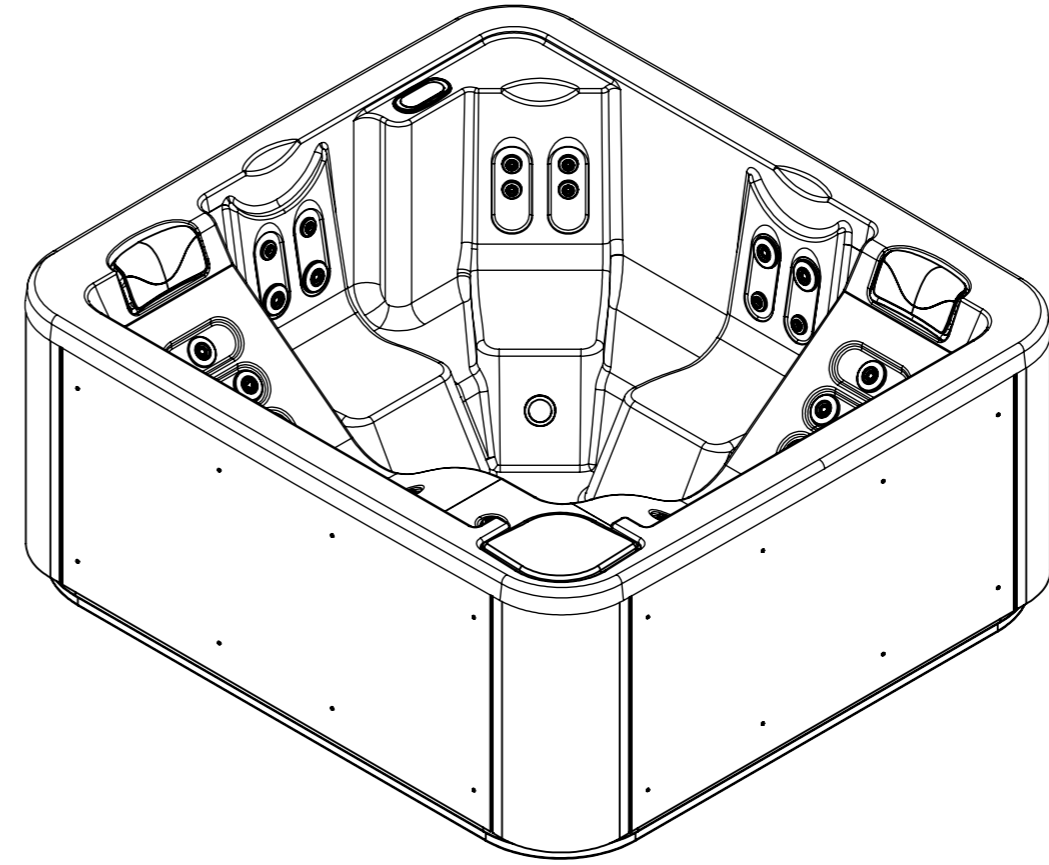
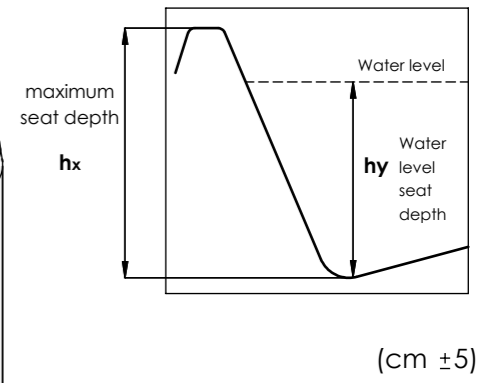


ELECTRICAL BOARD CONNECTIONS ACCESS



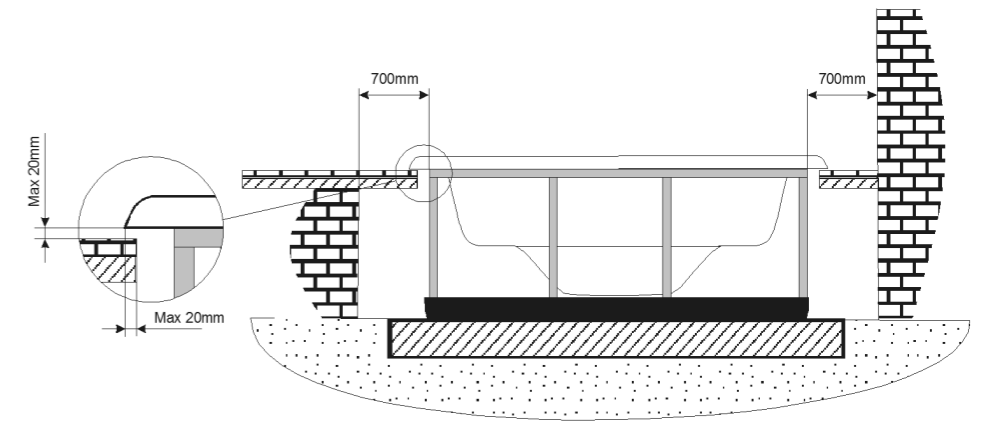
General specifications	
Spa weight (empty)	292 Kg
Spa weight (full)	1.192 Kg



POSITION	hx	hy
T1	56	42
S1	52	38
S2	52	38
S3	52	38
T2	56	42

Inground option

WARNING:
It's essential to keep a minimum clearance access of **700mm** all around.



According to our policy of continuous improvement, dimensions, features or components of this product can be partially or completely changed without prior notice.
It's Customer responsibility to verify that this is the last version of the drawing

06	03/12/2018	D.Castillo	Spa weight added.
05	19/10/2018	A. Miquel	Positions depths added.
04	08/05/2017	O. Faura	Changing of electronic parts references.
03	28/10/2014	I.Pozo	Change scale and new spare template
02	19/05/2014	I.Pozo	New template
Change No.	Date	Name	Modification
Remarks			COMMERCIAL
Dimensions in mm. General Tolerances +/- 10mm			
Drawn	24/03/2014	X.Codina	Part Number 58604
Checked	-	I.Nicolas	
Scale 1:15	General Tolerance DIN 7168 ISO 2768g		Rev. 06
Sheet 1/2			
			First Angle Projection
Property of IBERSPA S.L. Avda. Pla d'Urgell 2-8 25200 Cervera, Spain. Don't use without permission. Keep this information confidential and use it solely for the permitted purpose.			