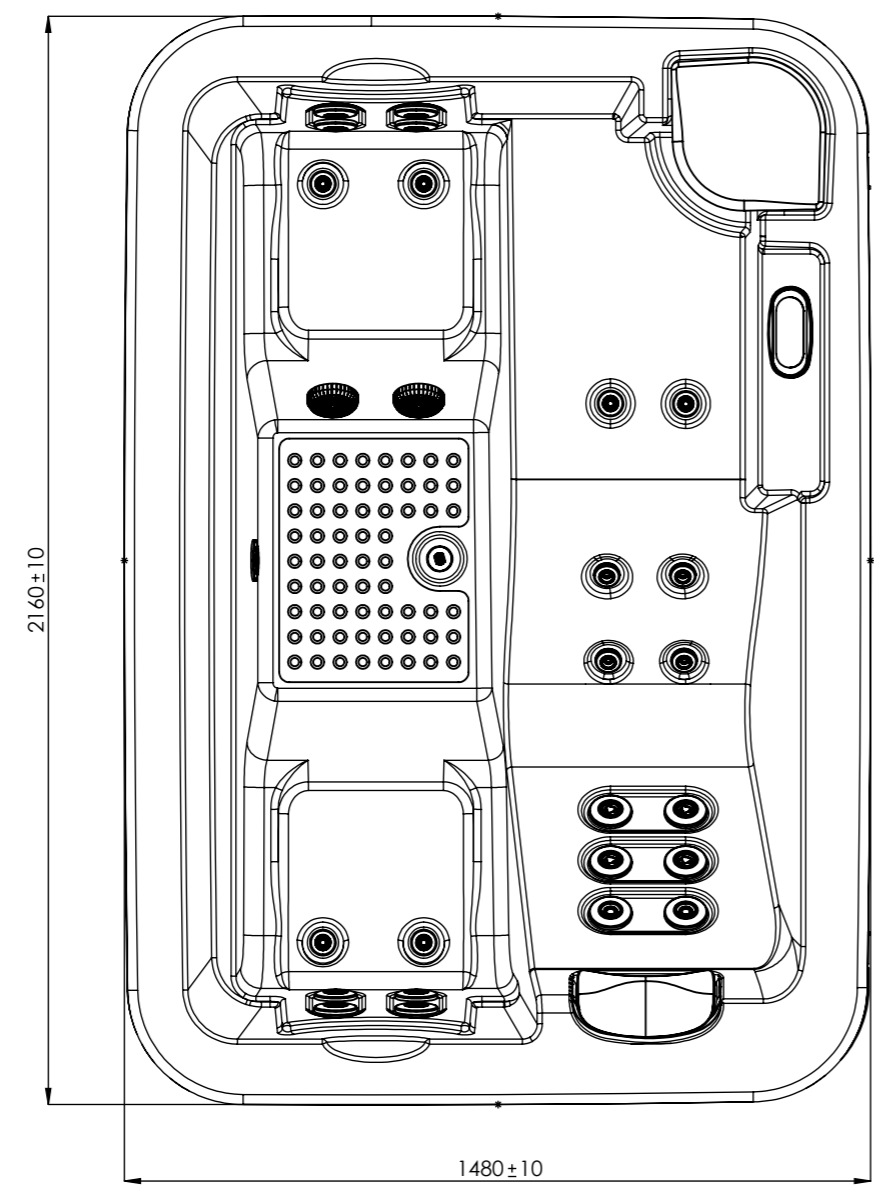
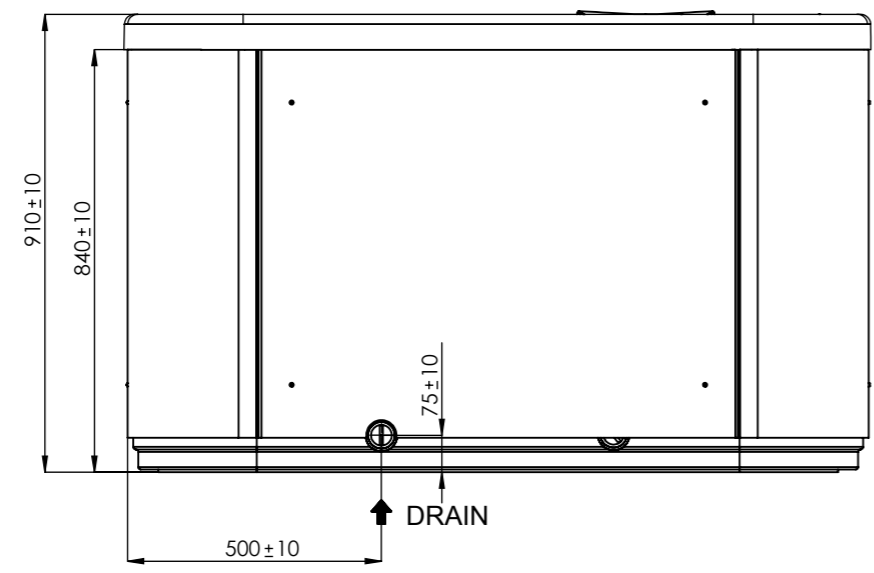
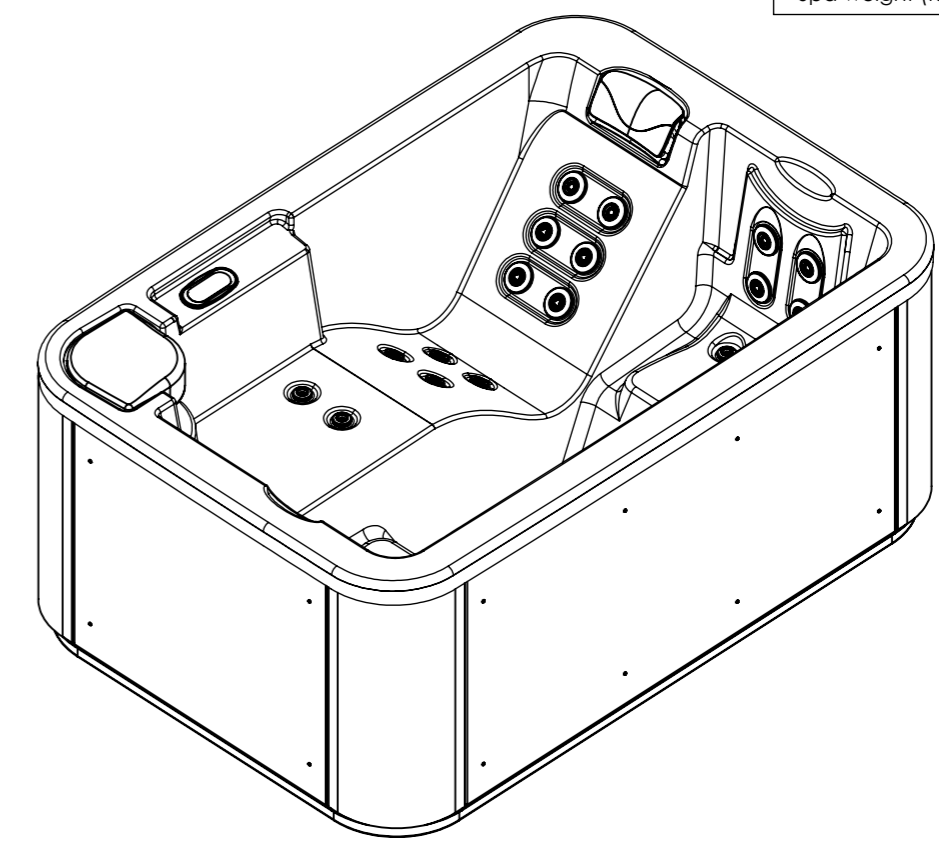


General specifications	
Spa weight (empty)	229 Kg
Spa weight (full)	929 Kg

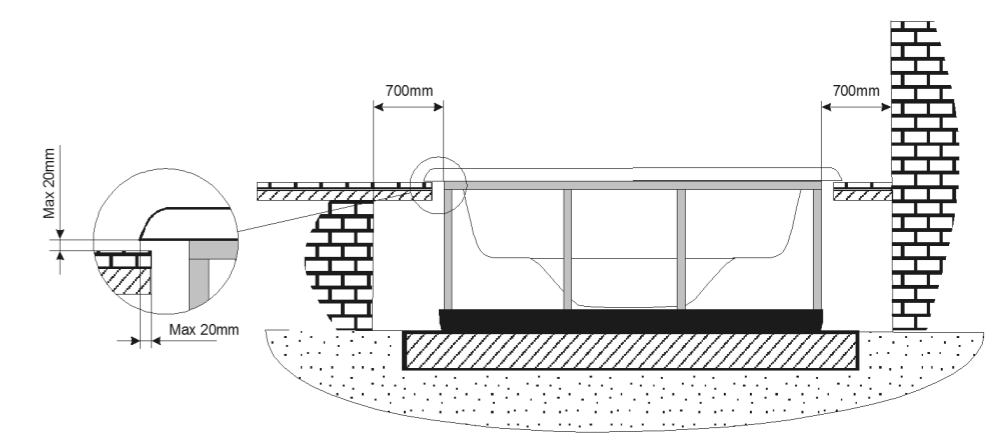


ELECTRICAL BOARD CONNECTIONS ACCESS



**Inground option**

**WARNING:**  
It's essential to keep a minimum clearance access of **700mm** all around.



According to our policy of continuous improvement, dimensions, features or components of this product can be partially or completely changed without prior notice.  
It's Customer responsibility to verify that this is the last version of the drawing

05	03/12/2018	D.Castillo	Spa weight added.
04	26/11/2018	A. Miquel	Jets (CMP) changed.
03	08/05/2017	O. Faura	Changing of electronic parts references.
02	28/10/2014	I.Pozo	New spare template
01	19/05/2014	I.Pozo	Change furniture and drawing views
Change No.	Date	Name	Modification

Remarks Dimensions in mm. General Tolerances +/- 10mm			<b>COMMERCIAL</b>			
Drawn	17/01/2013	X.Codina	<b>ASTRALPOOL</b> 	Part Number	Rev.	First Angle Projection 
Checked	-	I.Nicolas		<b>58603</b>	<b>05</b>	
Scale	1:15		General Tolerance DIN 7168 ISO 2768g			
Sheet	1/2					