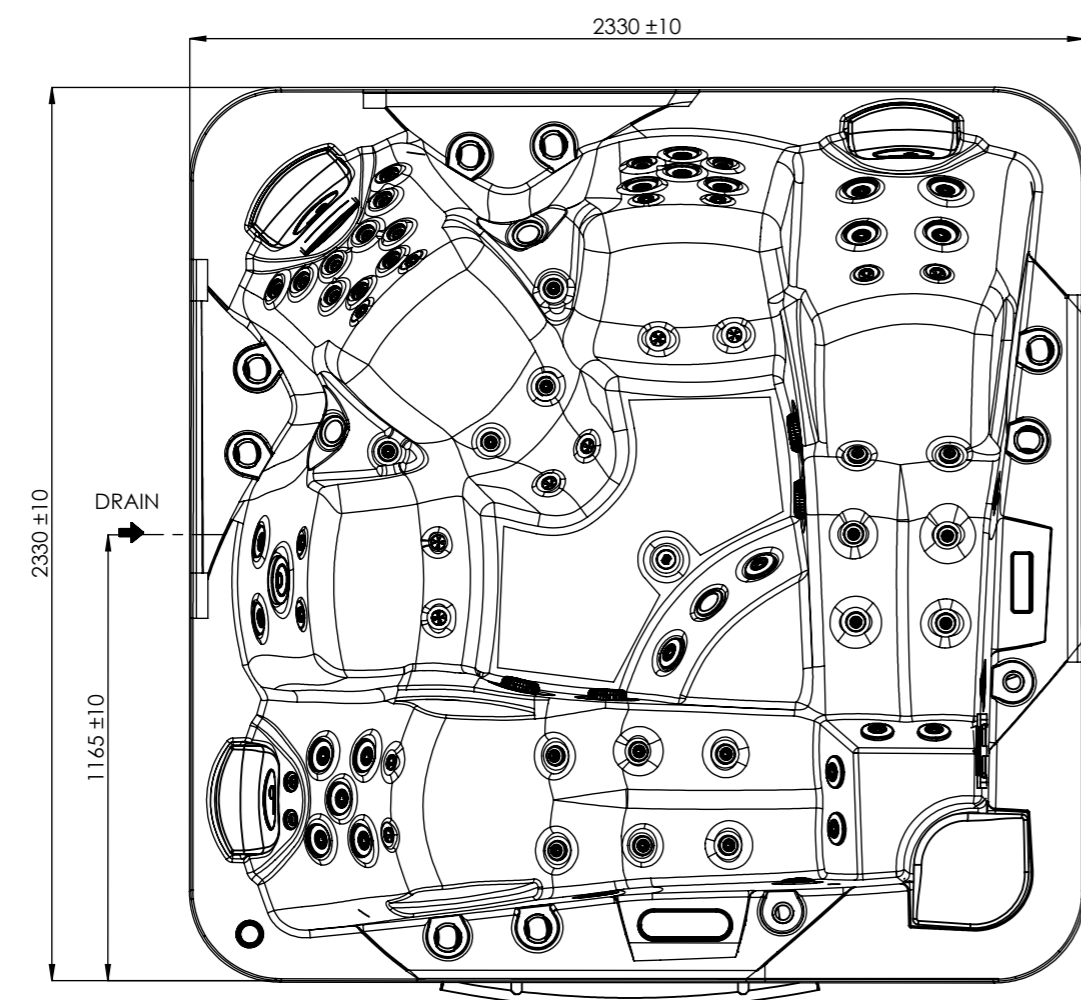
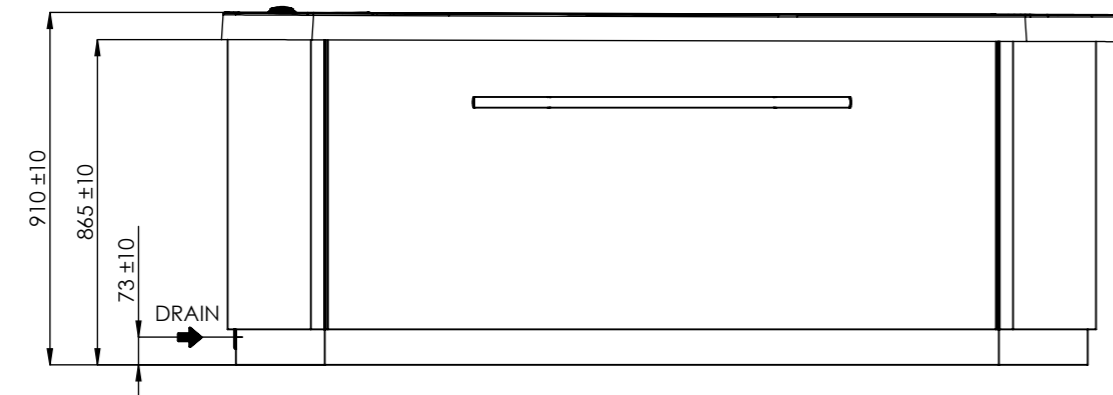
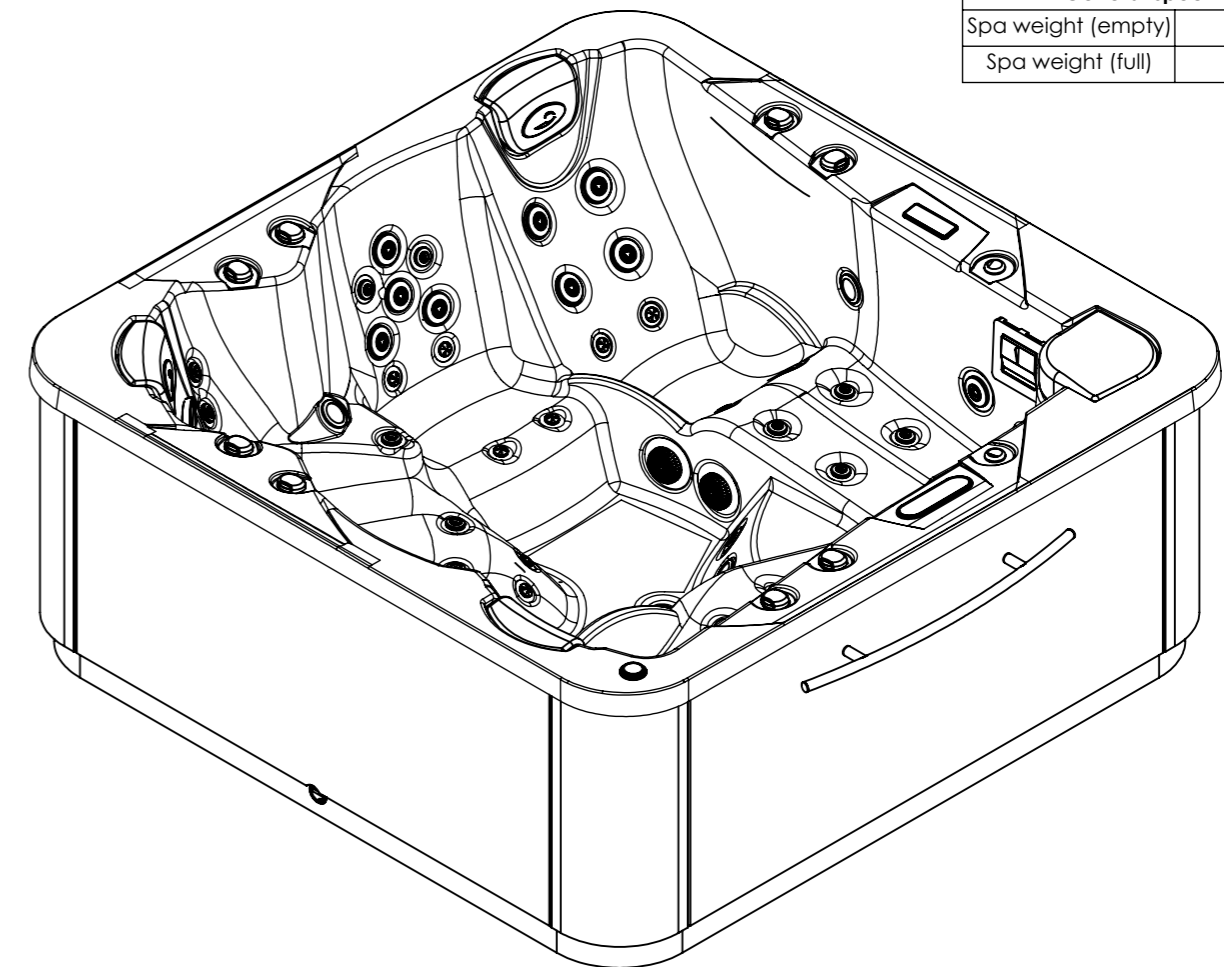


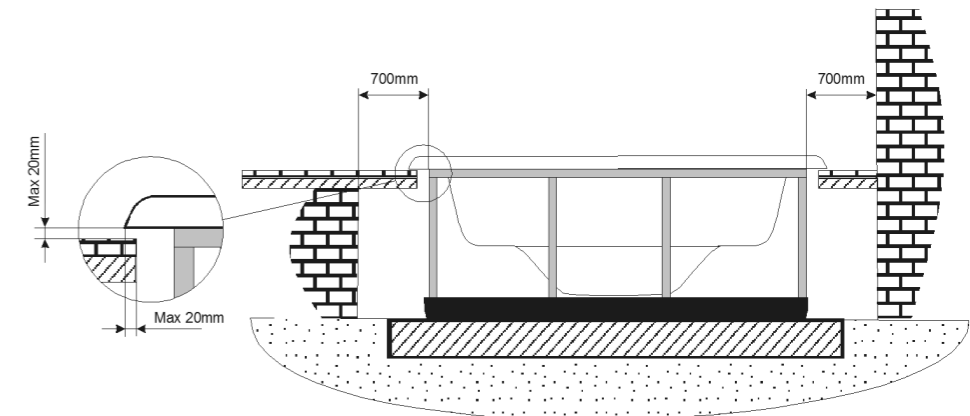
General specifications	
Spa weight (empty)	378 Kg
Spa weight (full)	1.988 Kg



↑ ↑
ELECTRICAL BOARD CONNECTIONS ACCESS

Inground option

WARNING:
It's essential to keep a minimum clearance access of **700mm** all around.



According to our policy of continuous improvement, dimensions, features or components of this product can be partially or completely changed without prior notice.
It's Customer responsibility to verify that this is the last version of the drawing

06	03/12/2018	D.Castillo	Spa weight added.
05	20/11/2018	A. Miquel	Jets (CMP), DSG waterfall, receptor audio and filtration pump changed.
04	10/05/2017	O. Faura	Changing of electronic parts references.
03	17/11/2014	I.Pozo	New spare template
02	25/03/2014	X.Codina	Actualitzat a nou format
Change No.	Date	Name	Modification

Remarks Dimensions in mm. General Tolerances +/- 10mm			COMMERCIAL			
Drawn	21/05/2013	J.Jorba	ASTRALPOOL 	Part Number	Rev.	First Angle Projection 
Checked	-	I.Nicolas		32474	06	
Scale 1:20	General Tolerance DIN 7168 ISO 2768g					
Sheet 1/2						