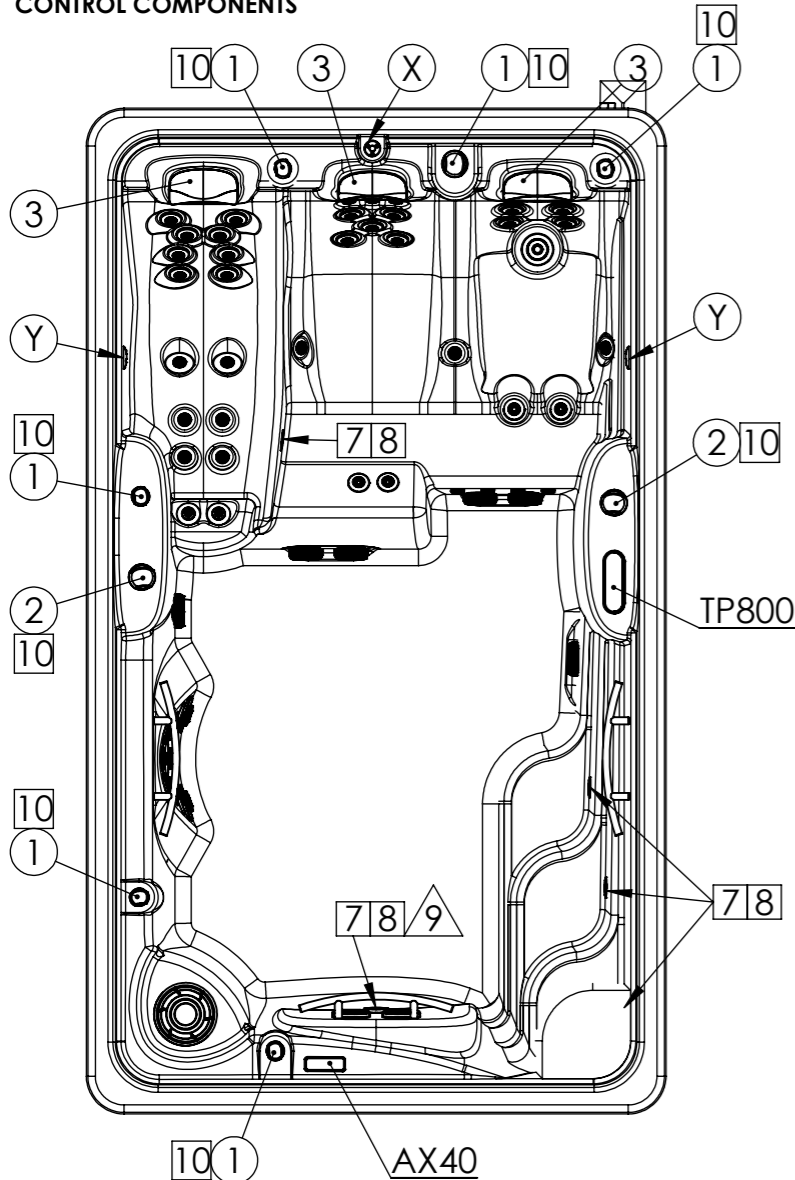


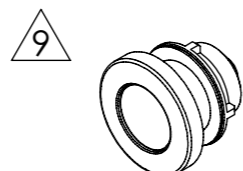
According to our policy of continuous improvement, dimensions, features or components of this product can be partially or completely changed without prior notice. It's Customer responsibility to verify that this is the last version of the drawing

Property of IBERSPA S.L. Avda. Pla d'Urgell 2-8 25200 Cervera, Spain. Don't use without permission. Keep this information confidential and use it solely for the permitted purpose.

CONTROL COMPONENTS



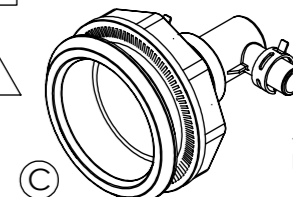
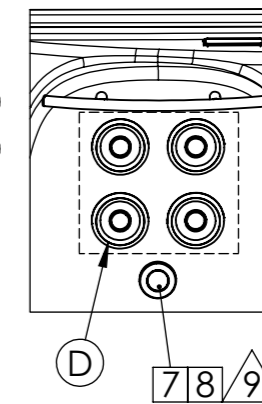
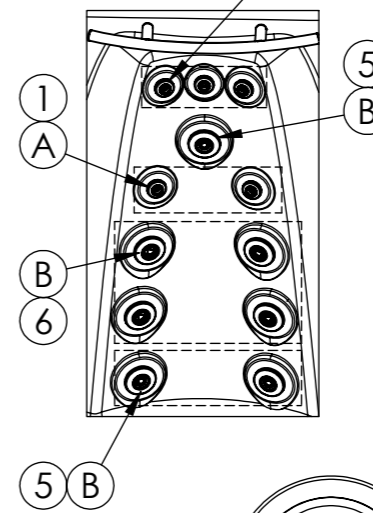
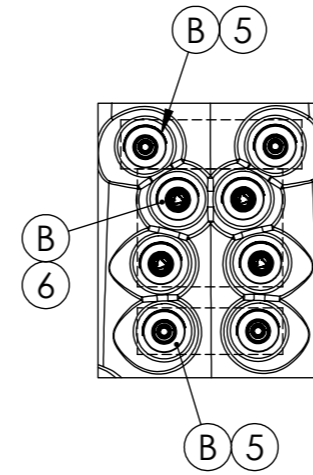
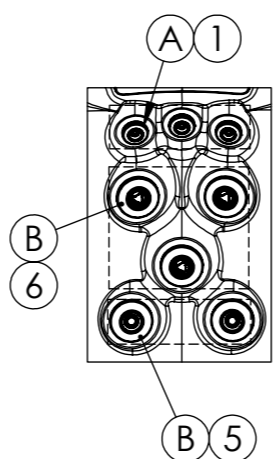
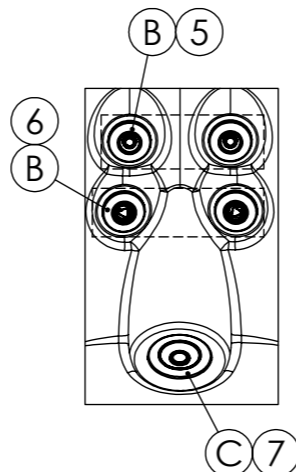
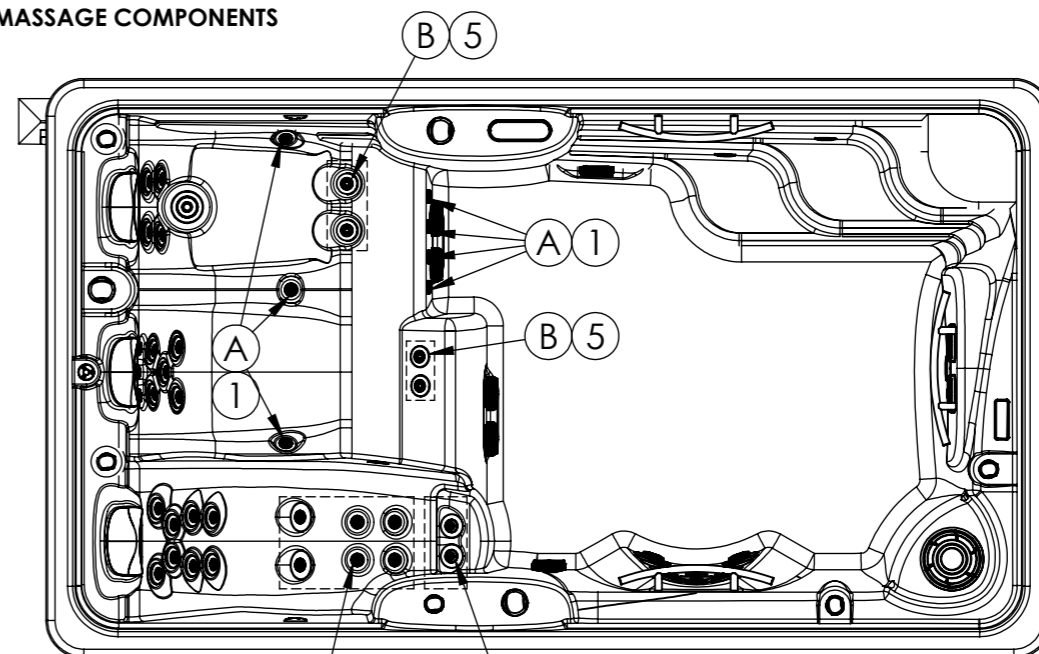
ONE LIGHT OPTION



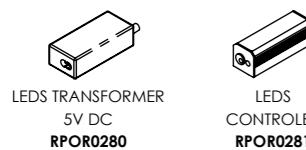
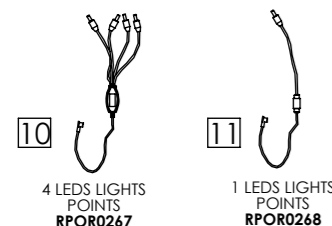
PILLOWS



MASSAGE COMPONENTS



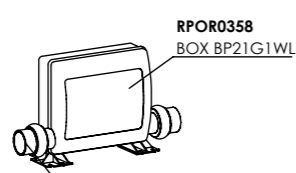
LIGHT COMPONENTS



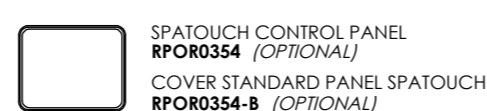
CONTROL PANELS



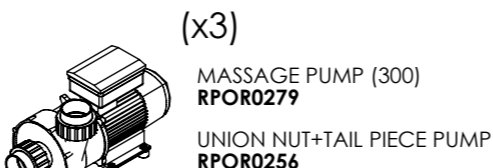
HEATER



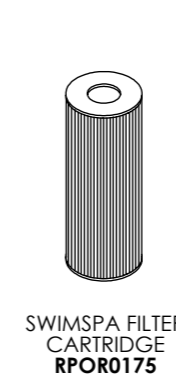
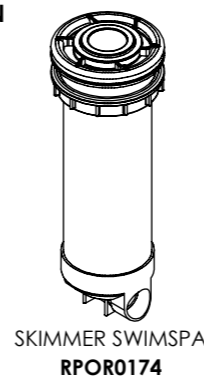
- RPOR0101 - TEMPERATURE PROBES GS 1 GL (x2)
- RPOR0105 - HEATER 3KW GS 1 GL
- RPOR0358-A - DIGITAL PANEL BP21G1WL
- RPOR0330 - EXPANDER BOARD KIT FOR SYSTEM BP21G1WL
- RPOR0358-B - LEVEL SENSOR



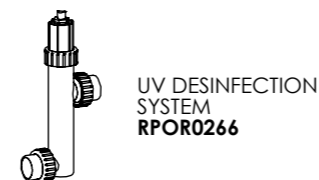
PUMPS



FILTRATION

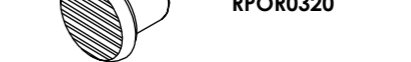
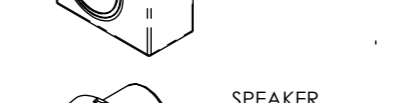


DESINFECTATION



AUDIO

Option 4.1



OTHER COMPONENTS

