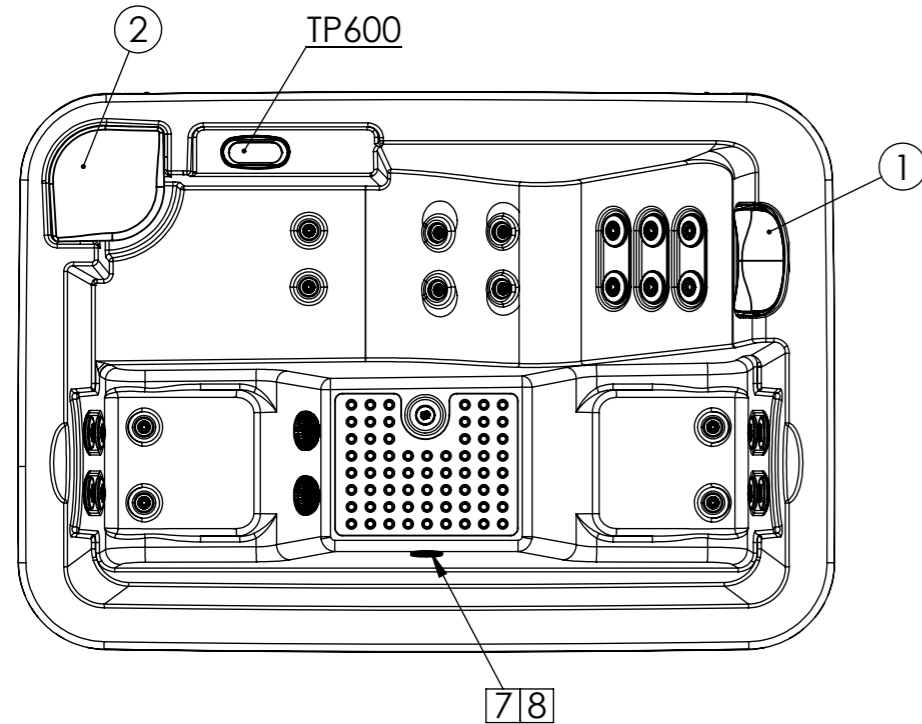


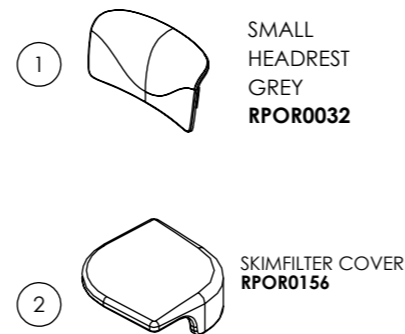
According to our policy of continuous improvement, dimensions, features or components of this product can be partially or completely changed without prior notice. It's Customer responsibility to verify that this is the last version of the drawing

Property of IBERSPA S.L. Avda. Pla d'Urgell 2-8 25200 Cervera, Spain. Don't use without permission. Keep this information confidential and use it solely for the permitted purpose.

CONTROL COMPONENTS



PILLOWS



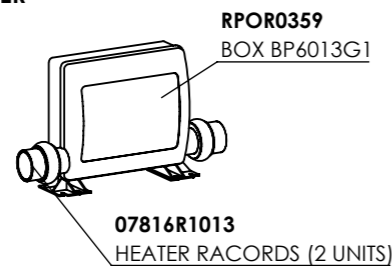
LIGHT COMPONENTS



CONTROL PANELS

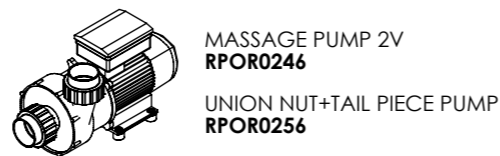


HEATER

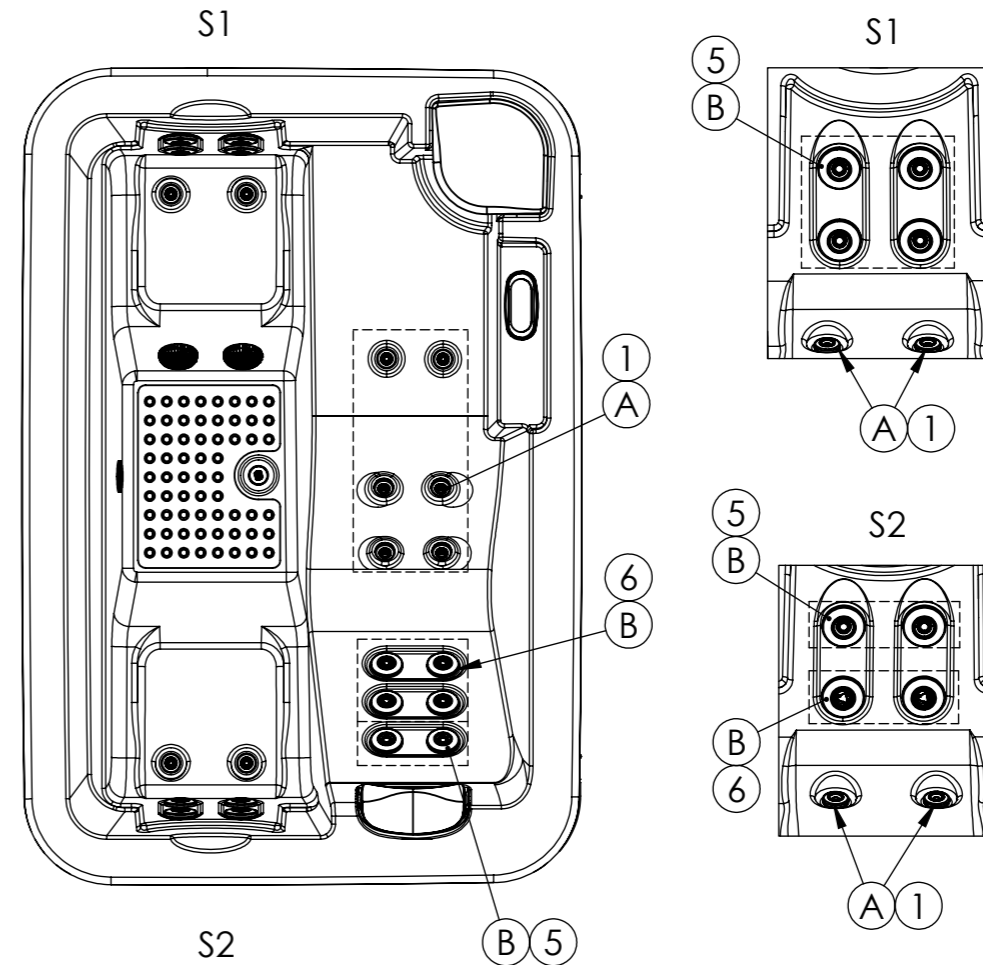


- RPOR0101 - TEMPERATURE PROBES GS I GL (x2)
- RPOR0105 - HEATER 3KW GS I GL
- RPOR0359-A - DIGITAL PANEL BP6013G1

PUMPS

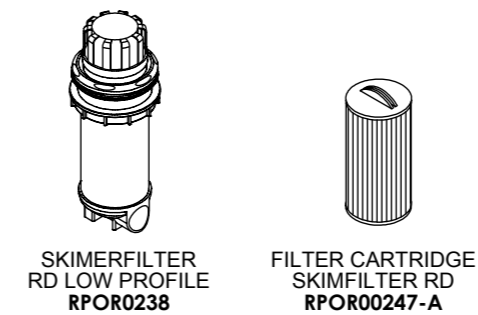


MASSAGE COMPONENTS

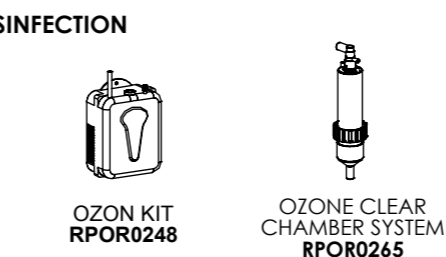


- JET BODY SET 2" RPOR0375
- FRONTAL JET 2" SS DIRECTIONAL RPOR0375-A
- FRONTAL JET 2" LF SS DIRECTIONAL RPOR00375-B
- FRONTAL JET 2" SS ROTO RPOR0375-C
- FRONTAL JET 2" LF SS ROTO RPOR0375-D
- JET BODY SET 3" RPOR0376
- FRONTAL JET 3" SS DIRECTIONAL RPOR0376-A
- FRONTAL JET 3" SS TWIN ROTO RPOR0376-B

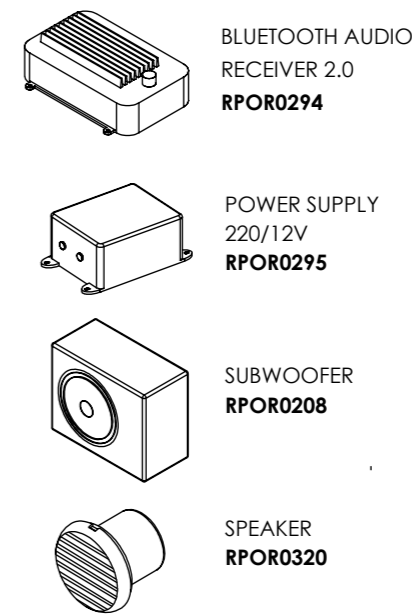
FILTRATION



DESINFECTION



AUDIO Option 2.1



OTHER COMPONENTS

